

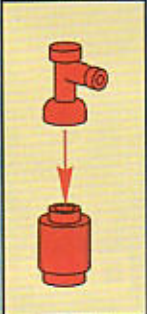
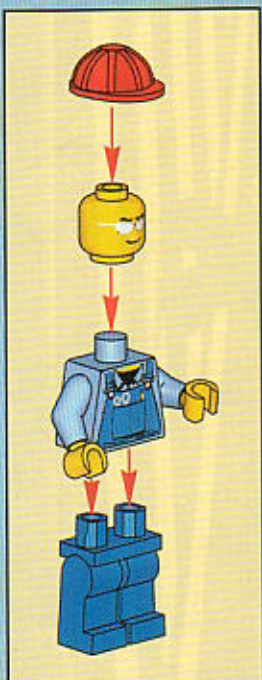
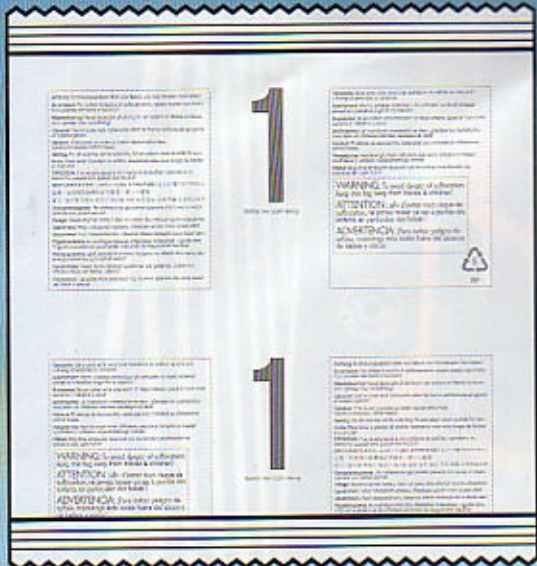


CITY

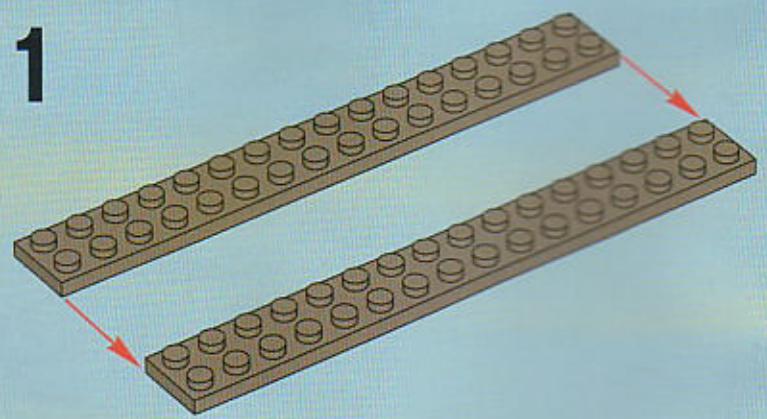
5-12

7900

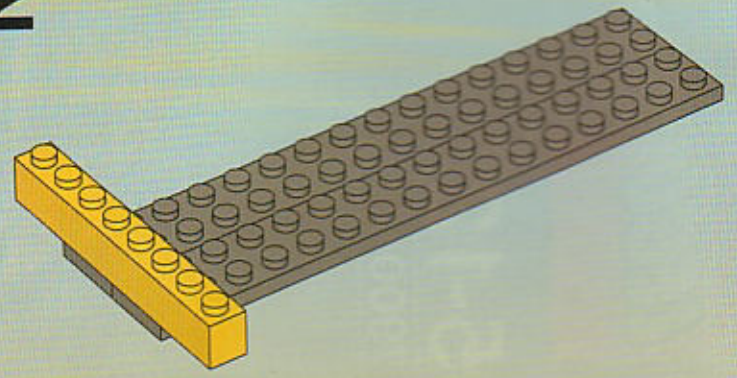




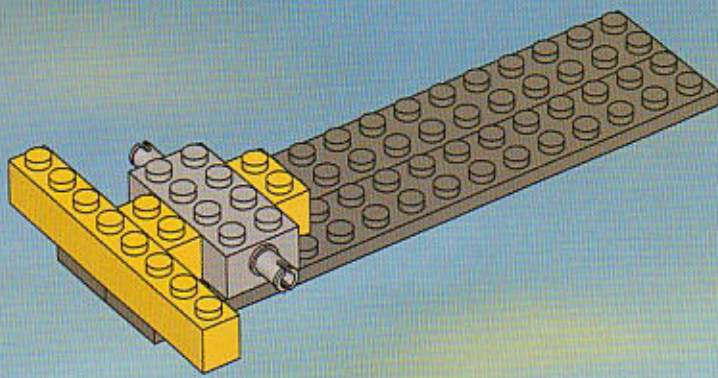
1



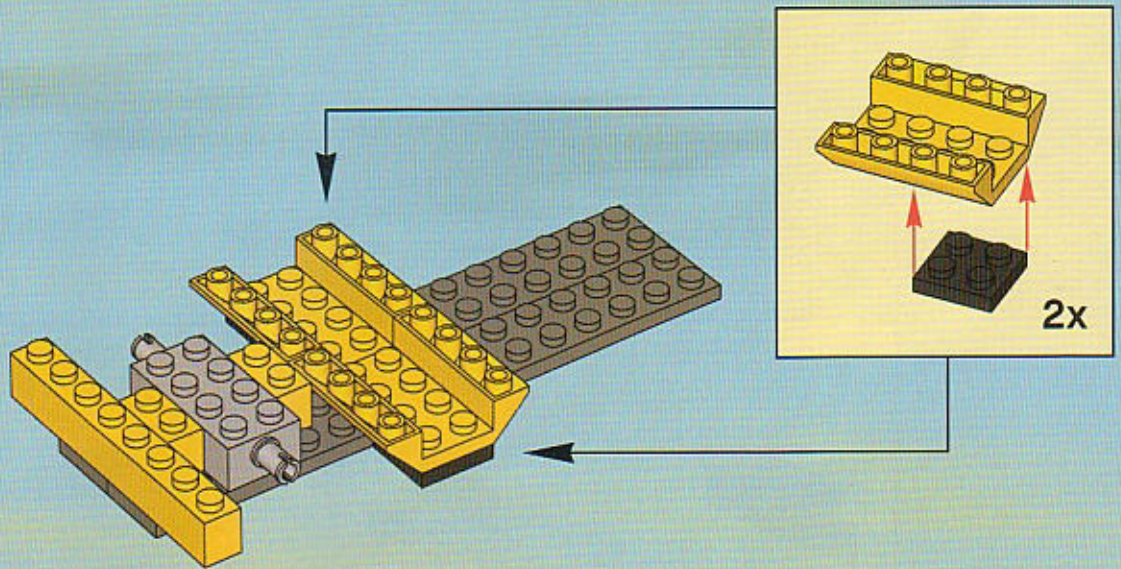
2



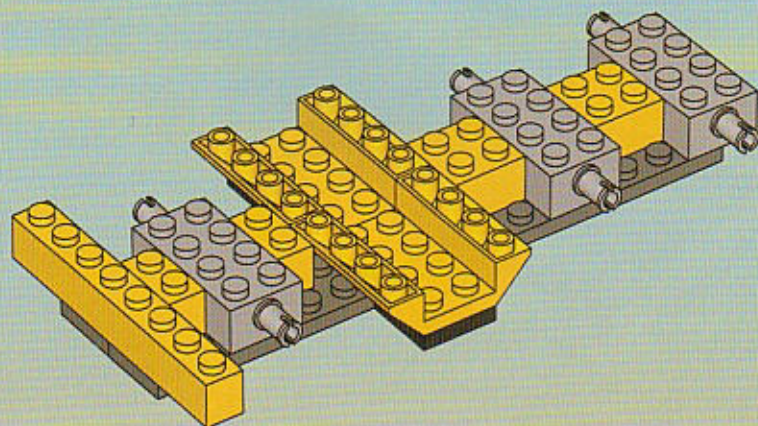
3



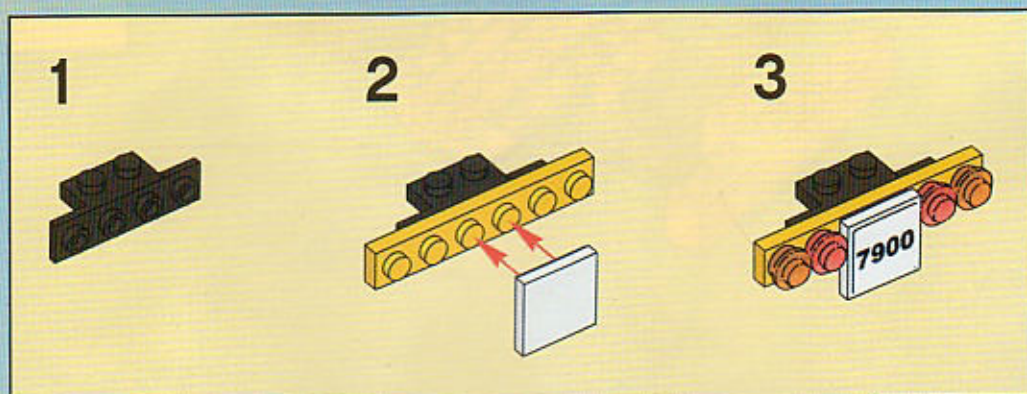
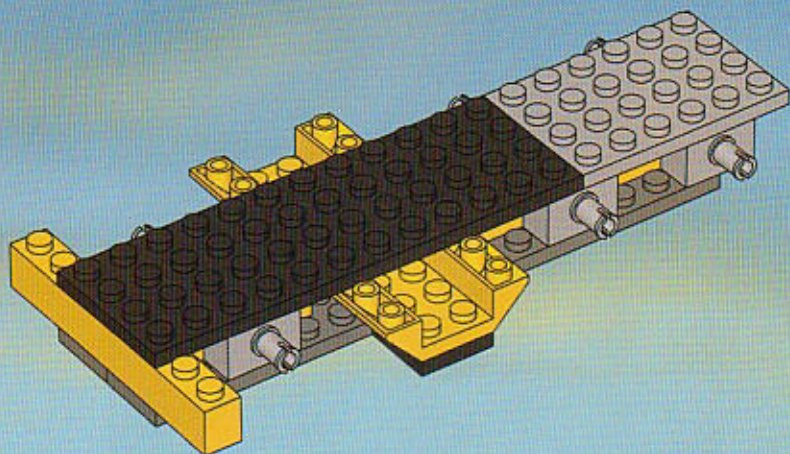
4



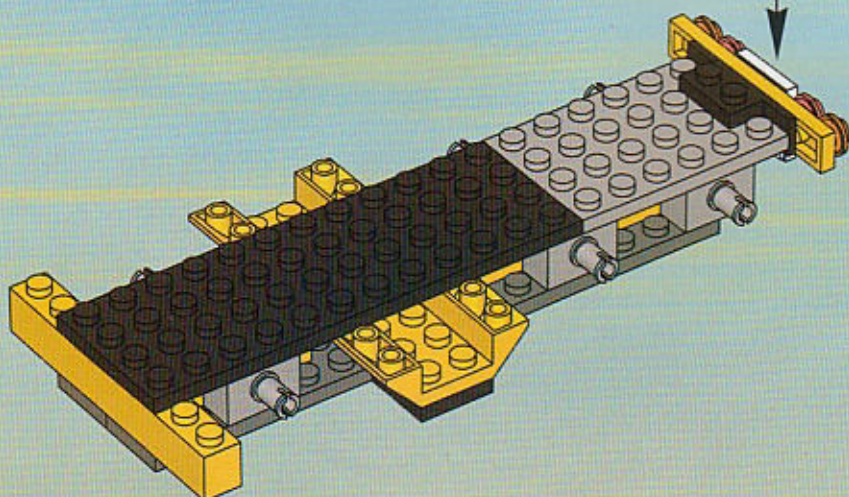
5



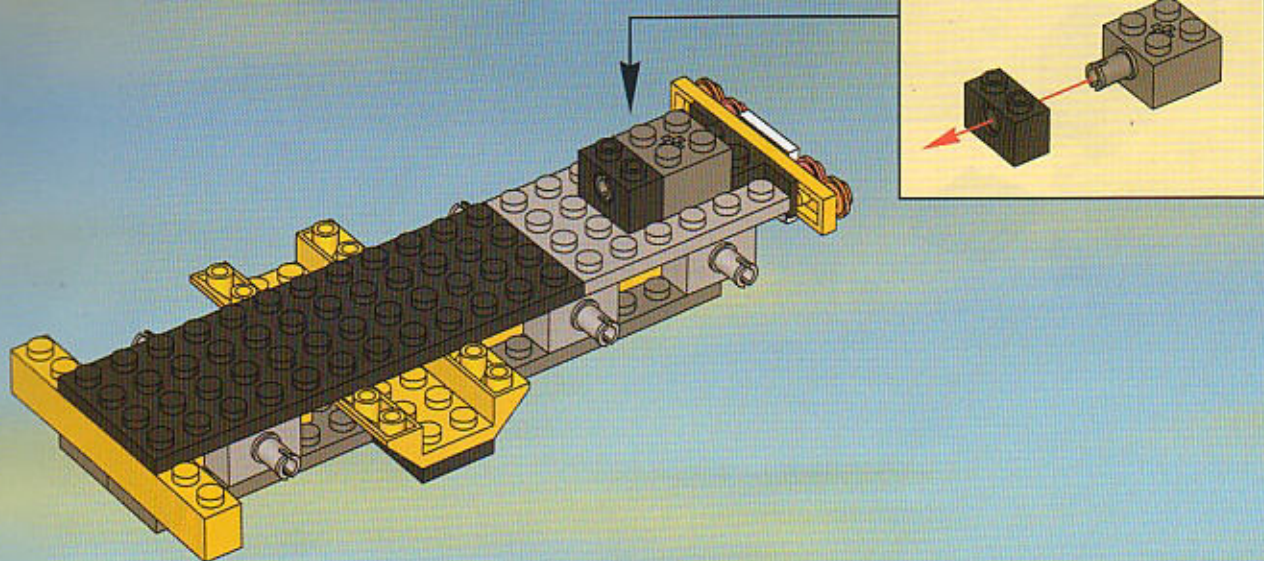
6



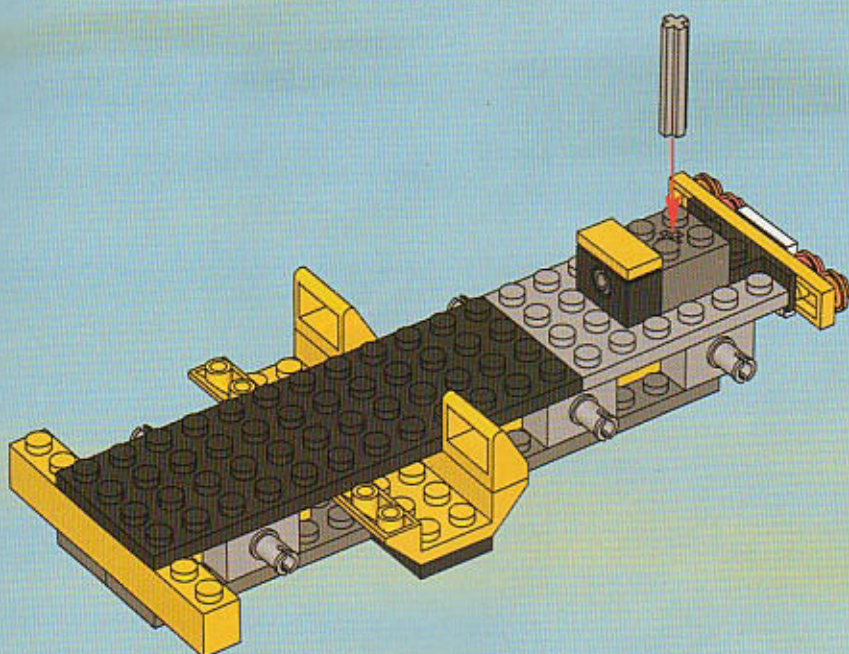
7



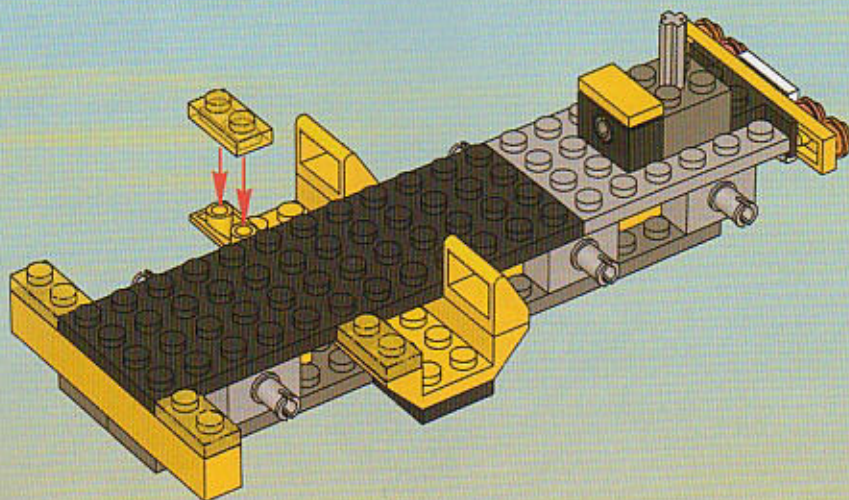
8

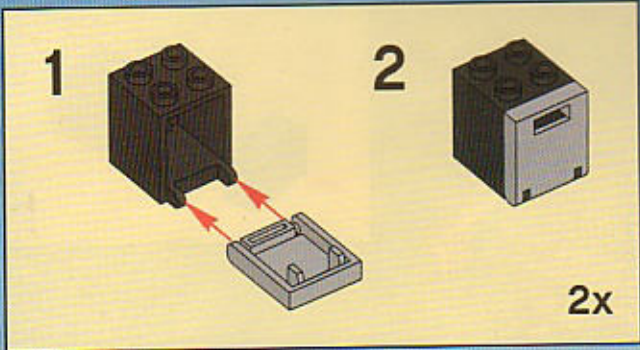


9

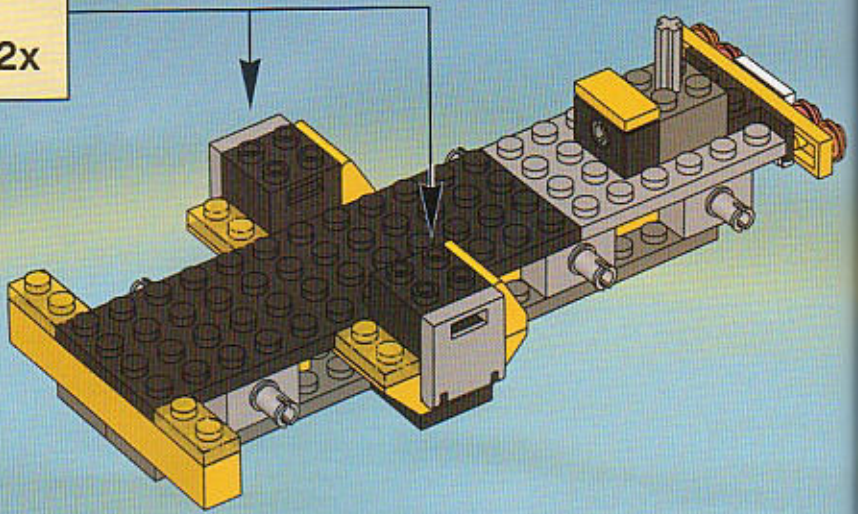


10

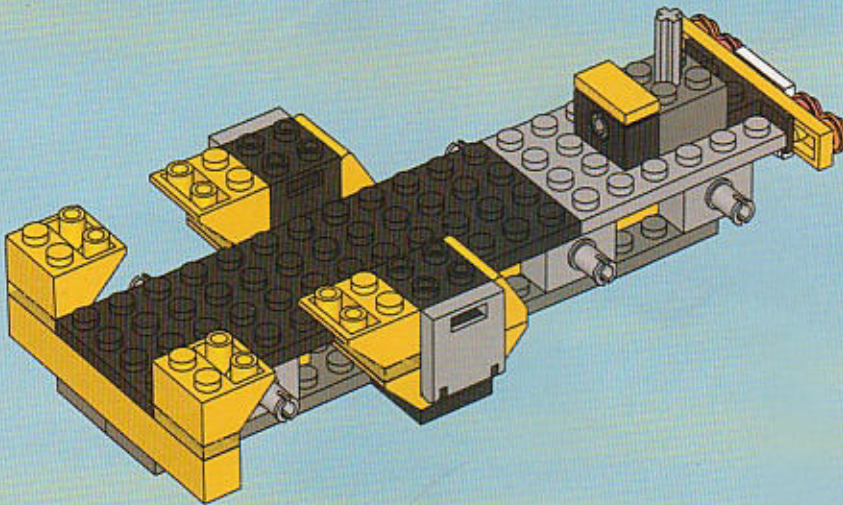




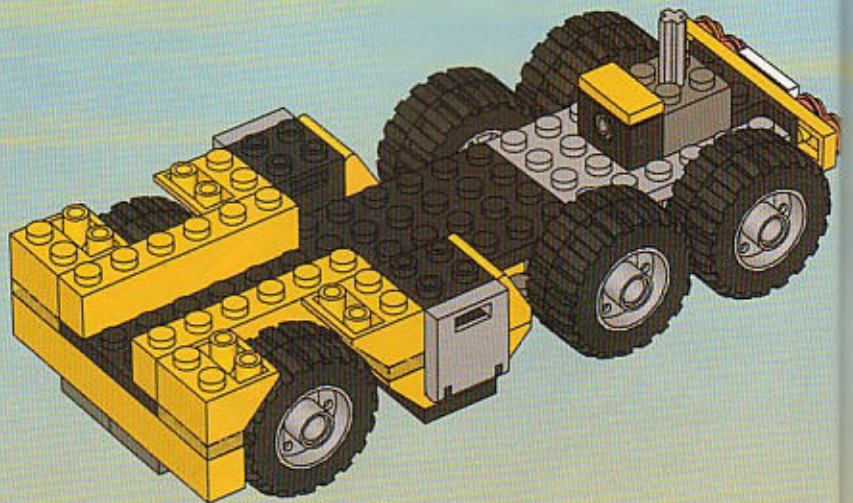
11



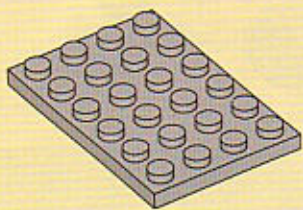
12



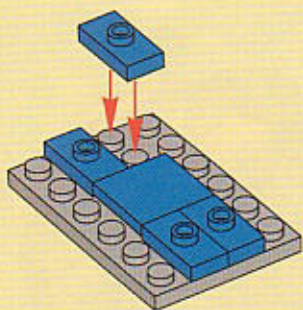
13



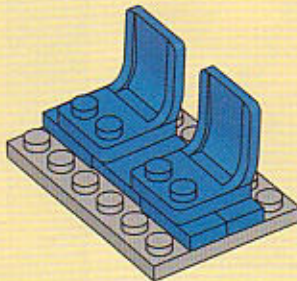
1



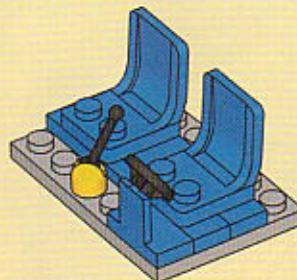
2



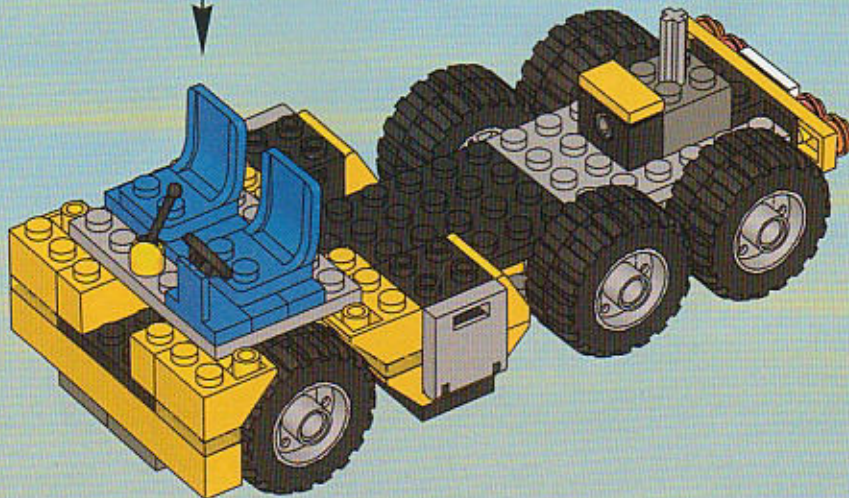
3



4



14



Always use the appropriate safety precautions when using power tools. Read the instructions for the power tool you are using. Do not use power tools if you are tired, under the influence of alcohol or drugs, or if you are taking medication that affects your judgment or reflexes. Do not use power tools if you are pregnant or have a heart condition. Do not use power tools if you are wearing jewelry or loose clothing. Do not use power tools if you are in a flammable or explosive atmosphere. Do not use power tools if you are in a confined space. Do not use power tools if you are in a wet or damp environment. Do not use power tools if you are in a high-temperature environment. Do not use power tools if you are in a low-temperature environment. Do not use power tools if you are in a high-voltage environment. Do not use power tools if you are in a low-voltage environment. Do not use power tools if you are in a high-pressure environment. Do not use power tools if you are in a low-pressure environment. Do not use power tools if you are in a high-vibration environment. Do not use power tools if you are in a low-vibration environment. Do not use power tools if you are in a high-noise environment. Do not use power tools if you are in a low-noise environment. Do not use power tools if you are in a high-dust environment. Do not use power tools if you are in a low-dust environment. Do not use power tools if you are in a high-temperature environment. Do not use power tools if you are in a low-temperature environment. Do not use power tools if you are in a high-voltage environment. Do not use power tools if you are in a low-voltage environment. Do not use power tools if you are in a high-pressure environment. Do not use power tools if you are in a low-pressure environment. Do not use power tools if you are in a high-vibration environment. Do not use power tools if you are in a low-vibration environment. Do not use power tools if you are in a high-noise environment. Do not use power tools if you are in a low-noise environment. Do not use power tools if you are in a high-dust environment. Do not use power tools if you are in a low-dust environment.

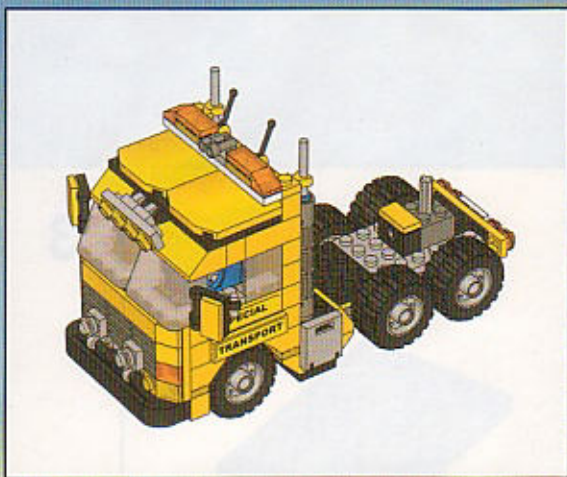
**2**

**2**

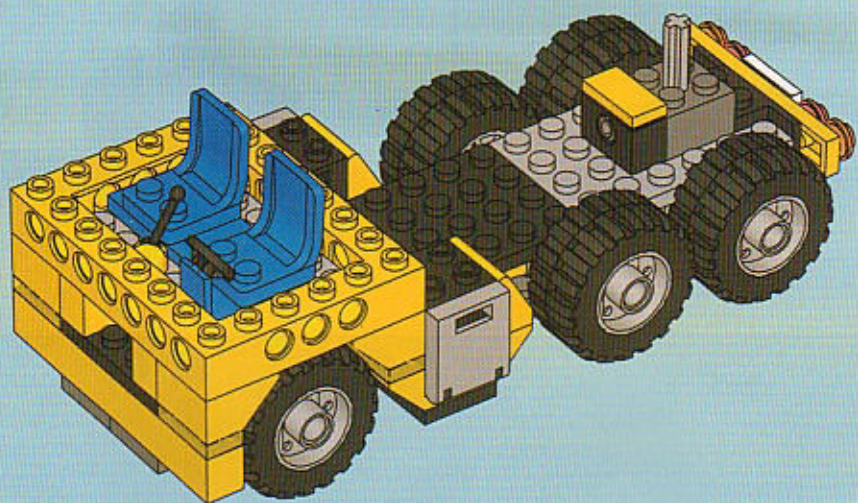
**WARNING:** To avoid danger of suffocation, keep this bag away from babies & children.

**ATTENTION:** À éviter tout risque de suffocation, garder ce sac loin des bébés et des enfants.

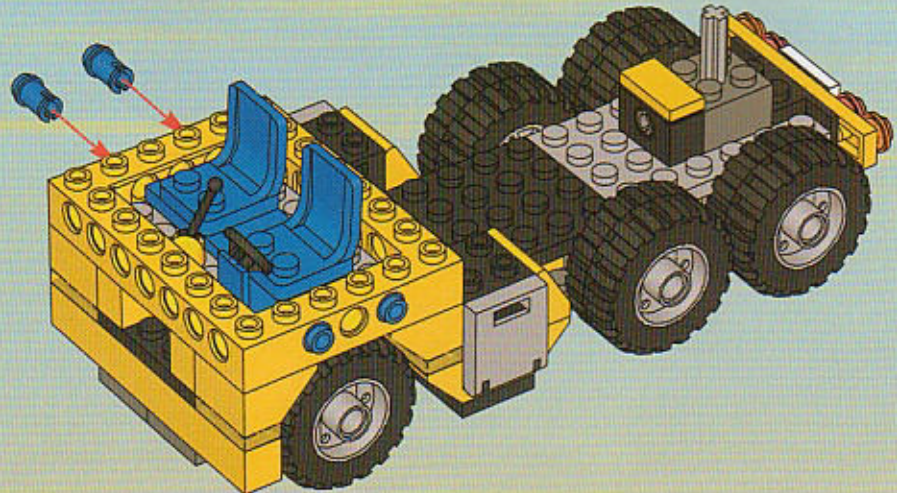
**ADVERTENCIA:** Para evitar riesgos de asfixia, mantener este saco lejos de bebés y niños.



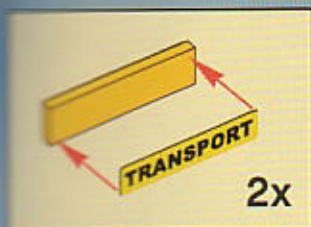
**15**



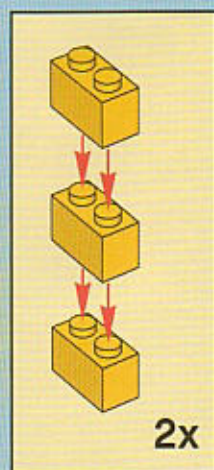
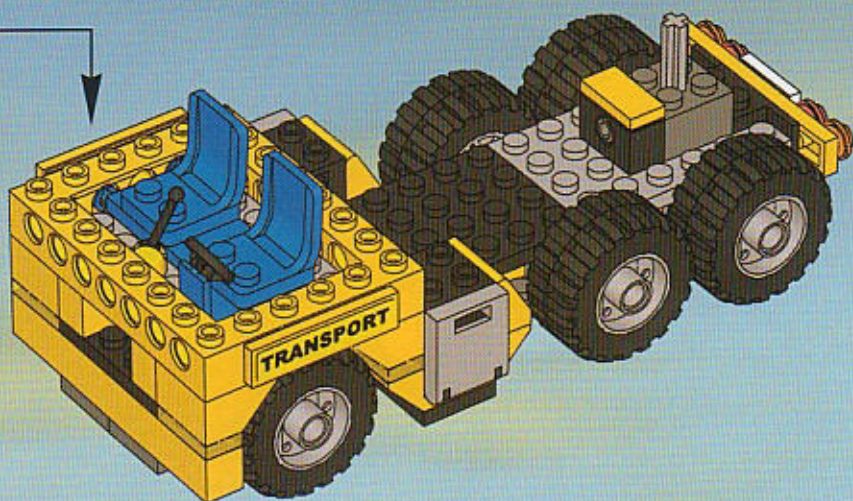
**16**



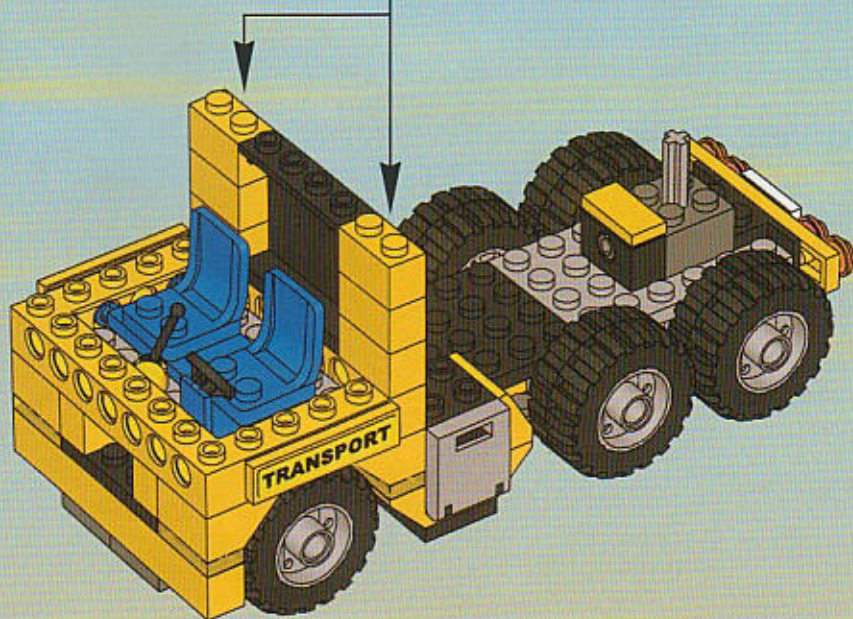


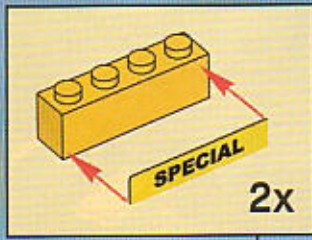


17

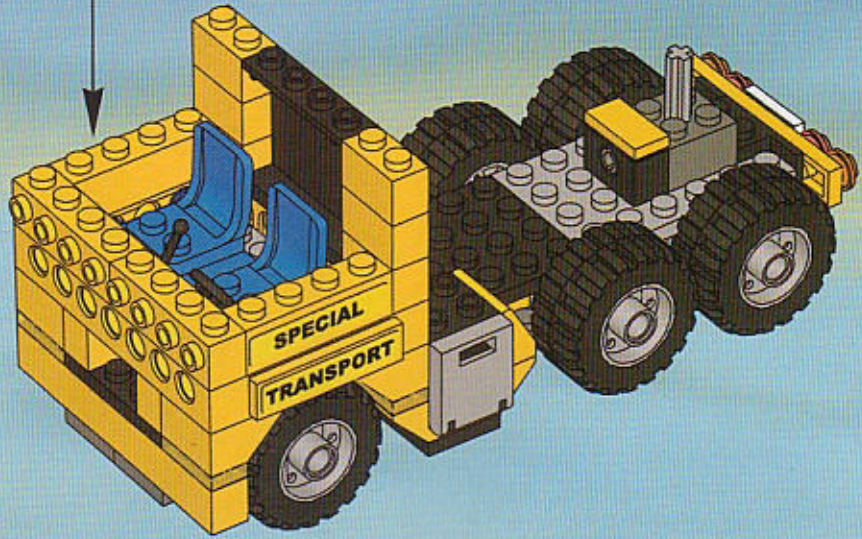


18

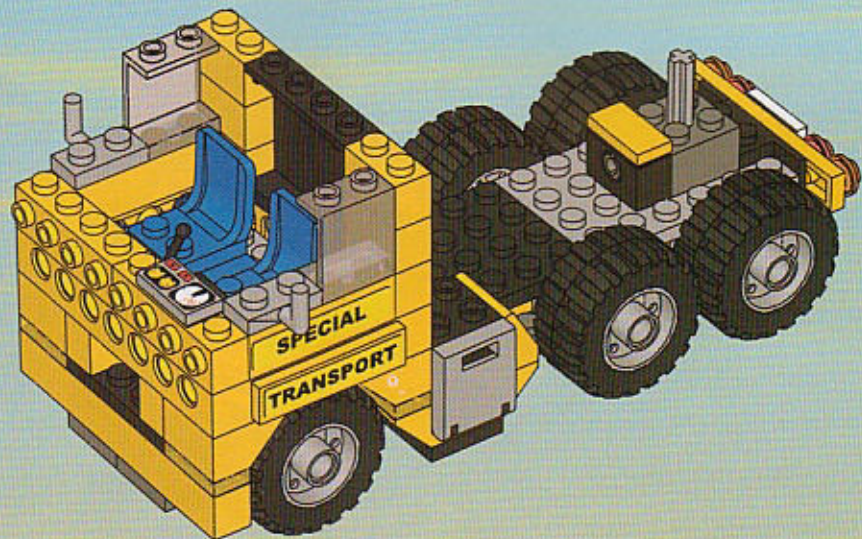




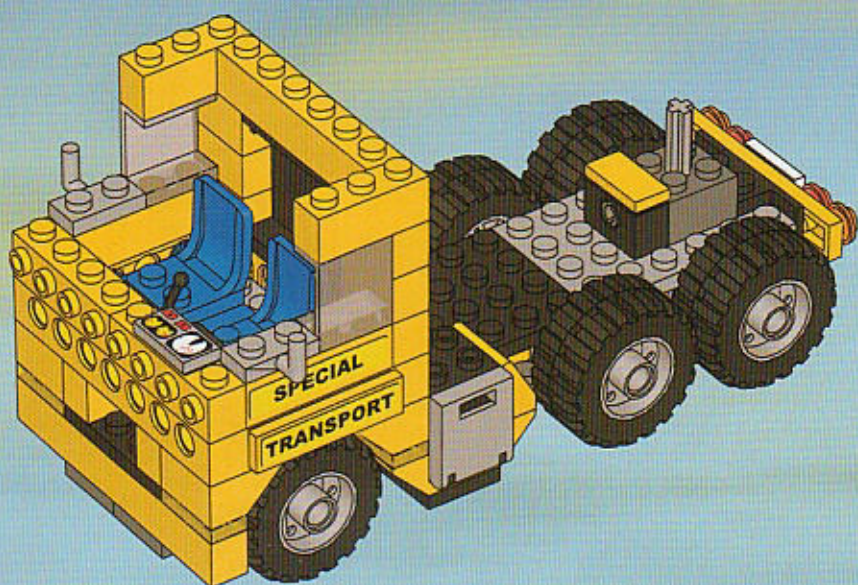
19



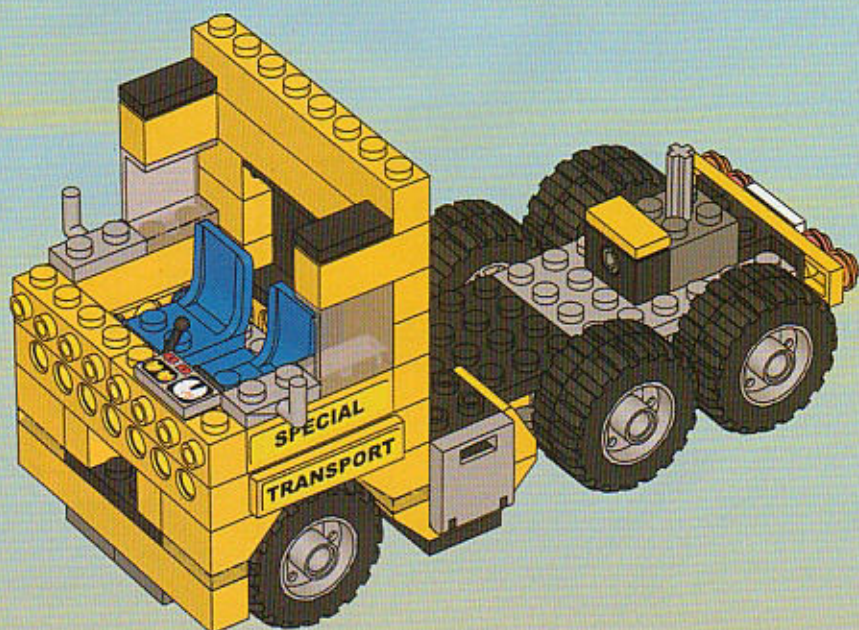
20

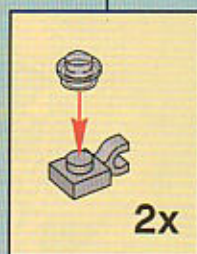
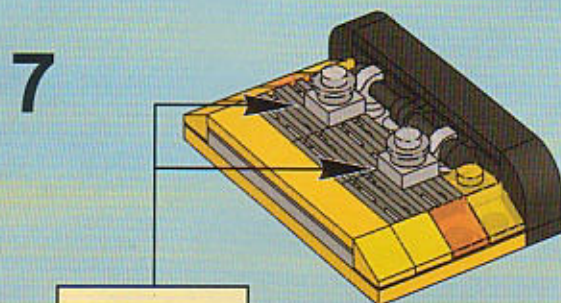
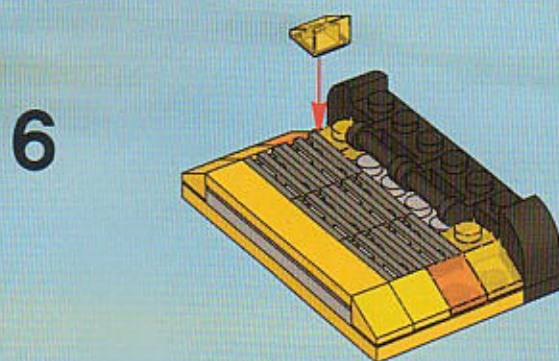
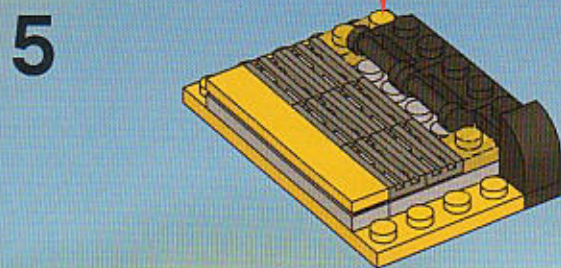
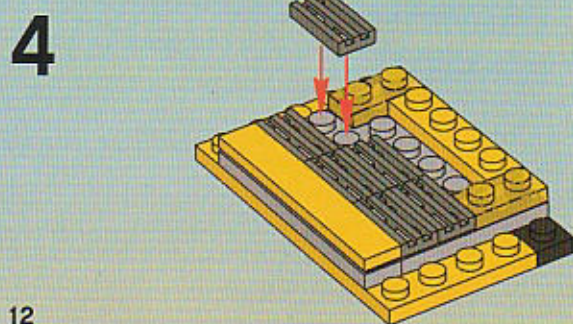
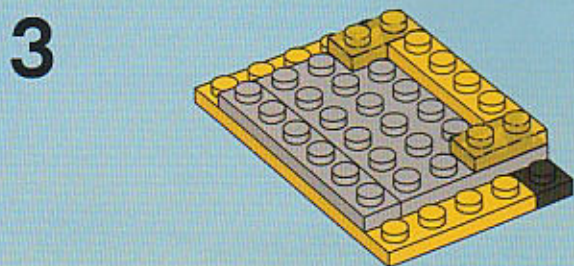
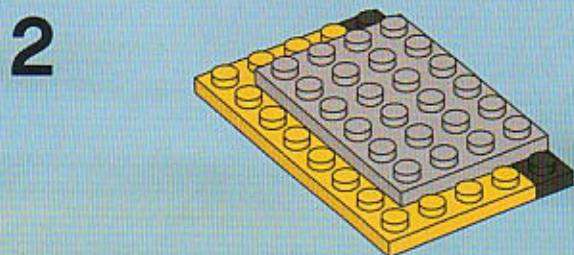
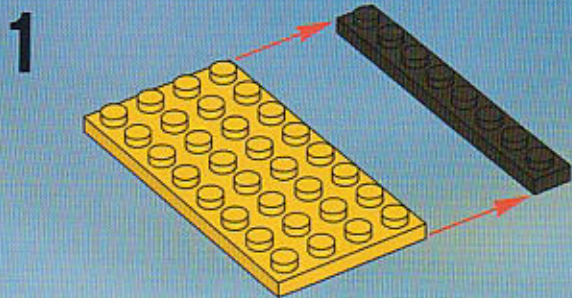


21

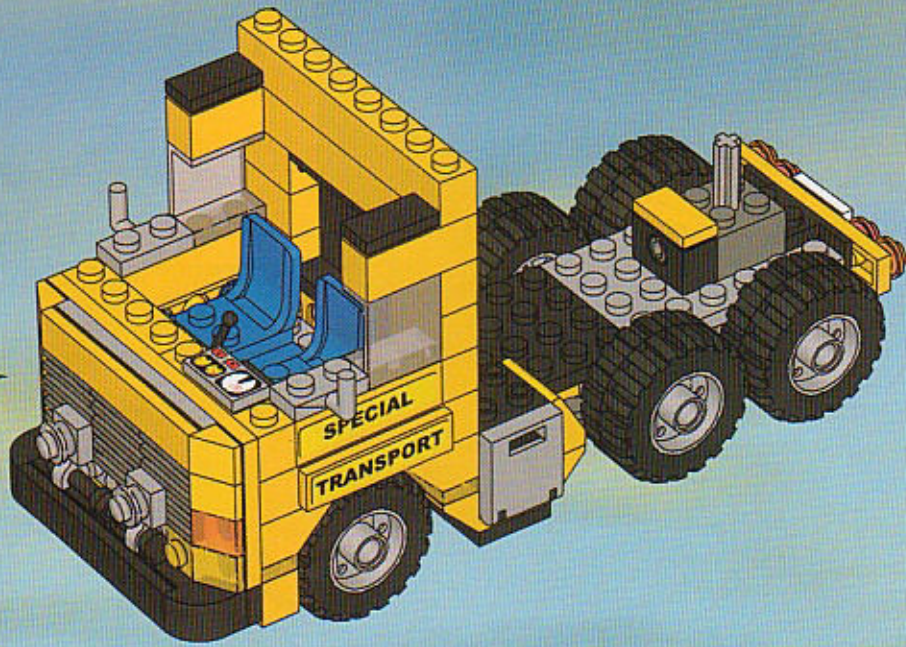


22

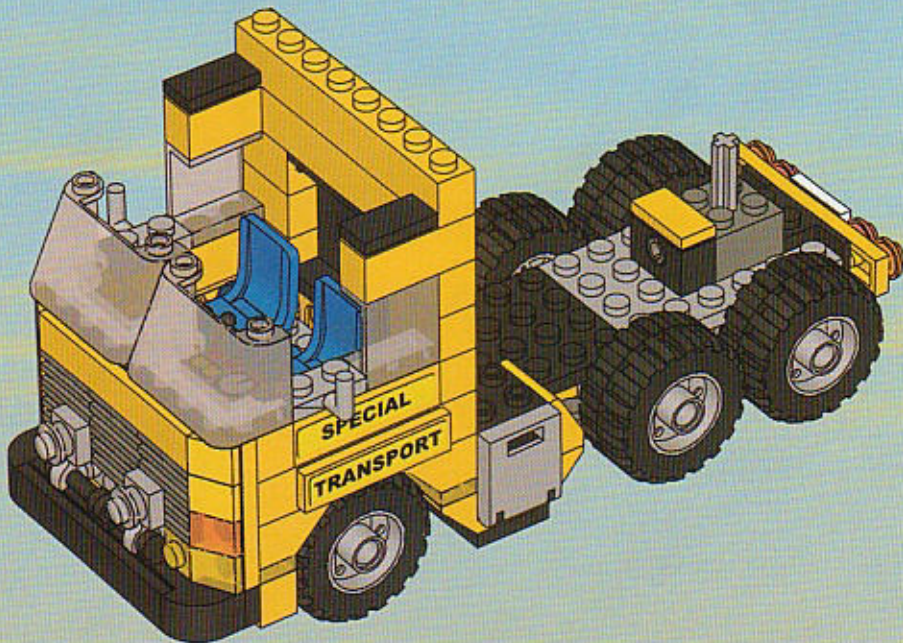


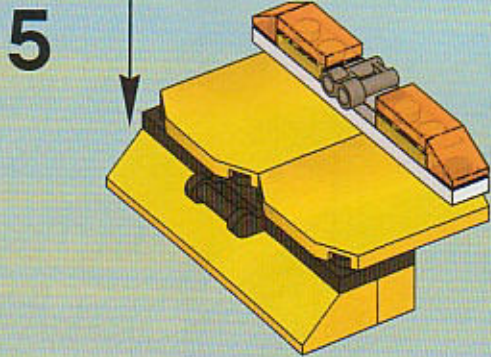
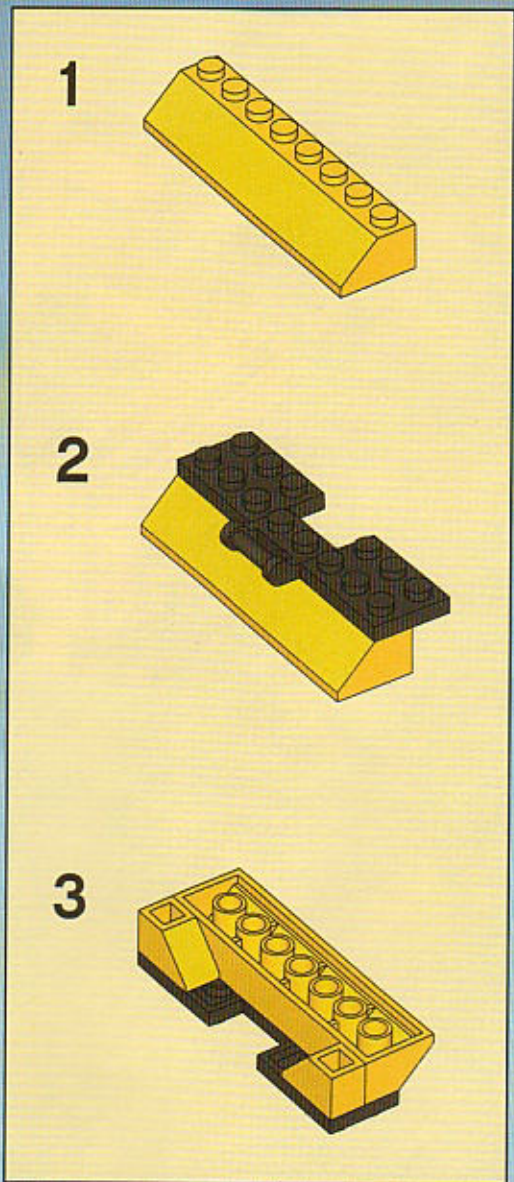
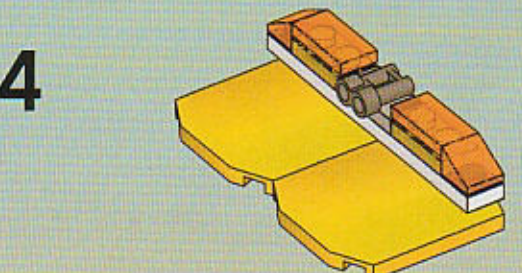
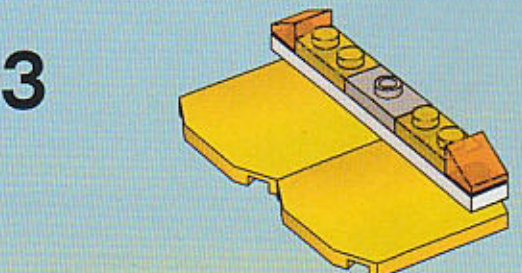
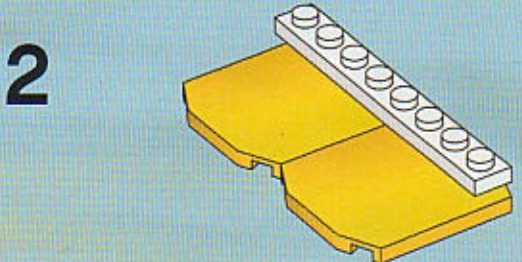
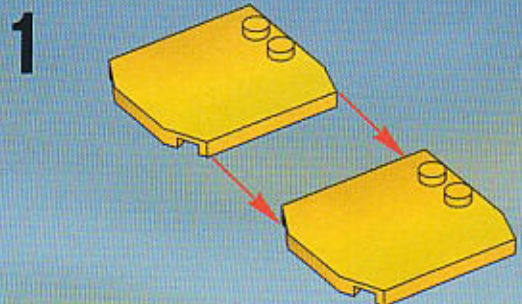


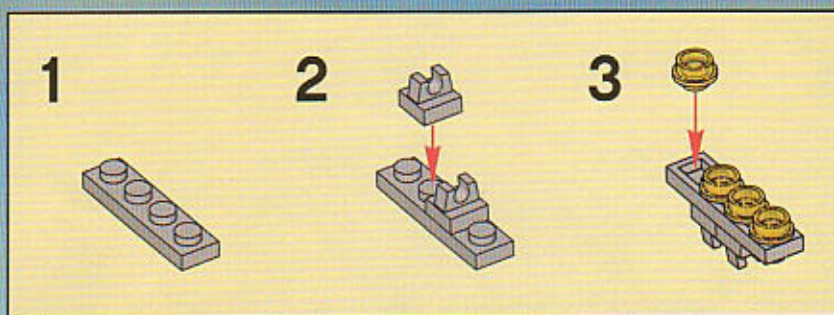
23



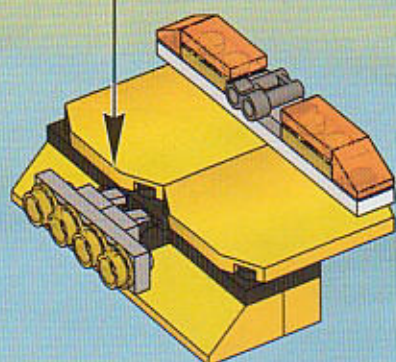
24



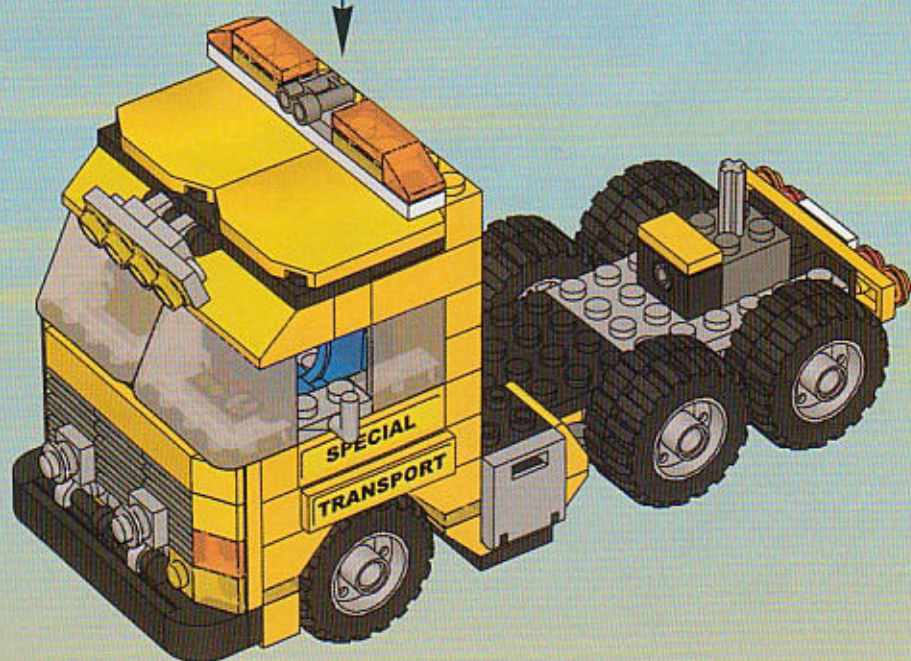


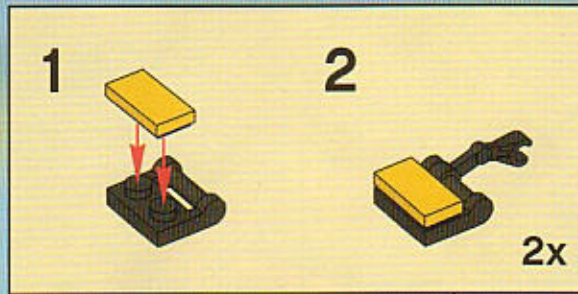


6



25

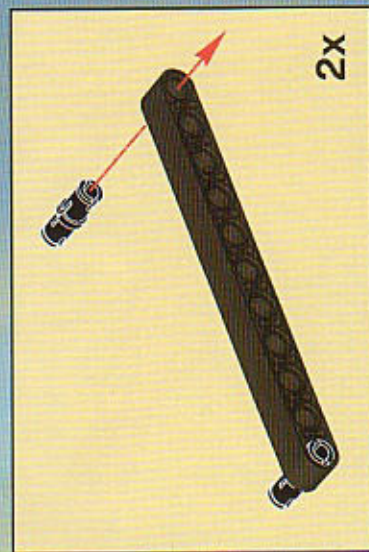
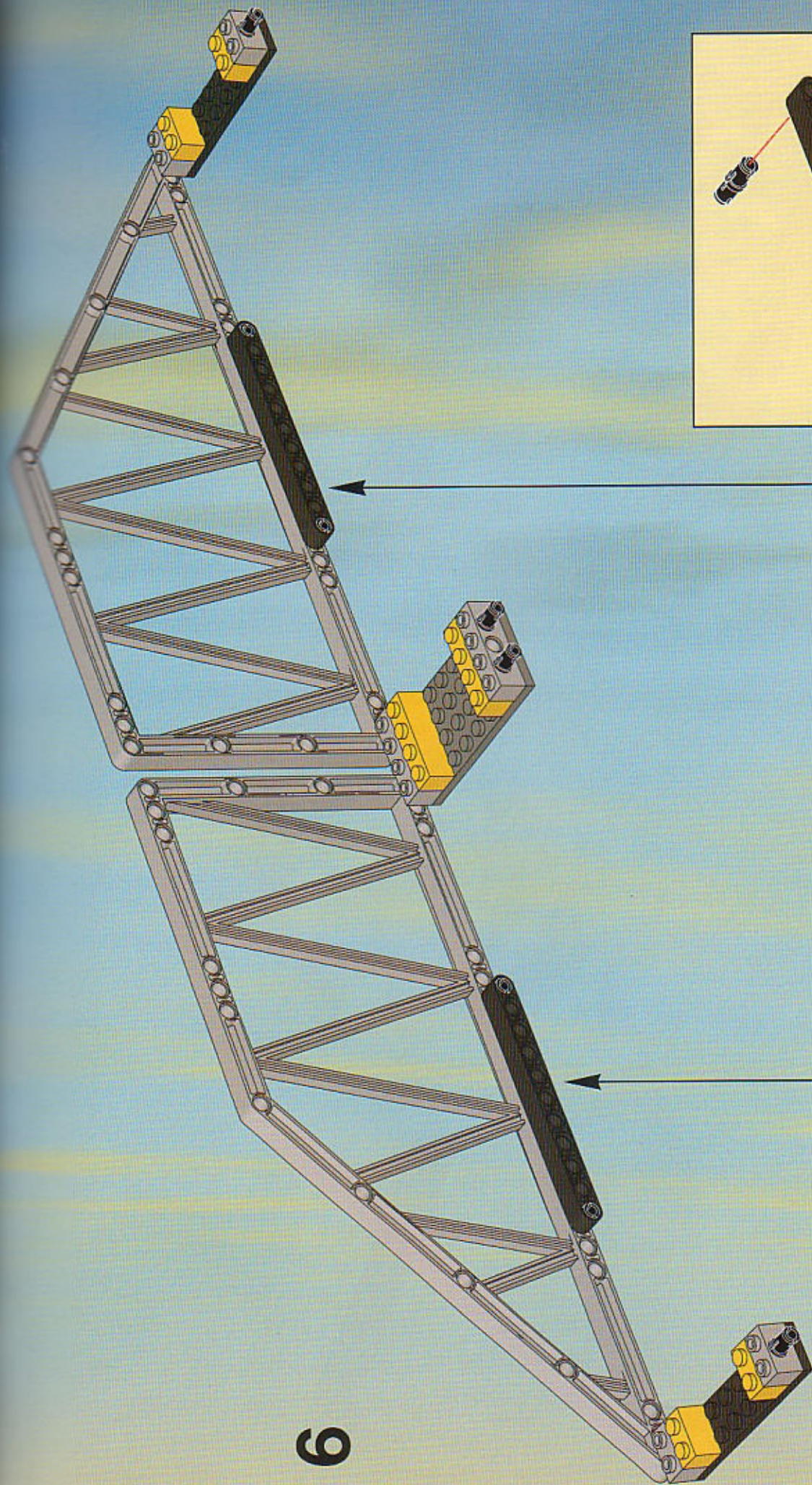




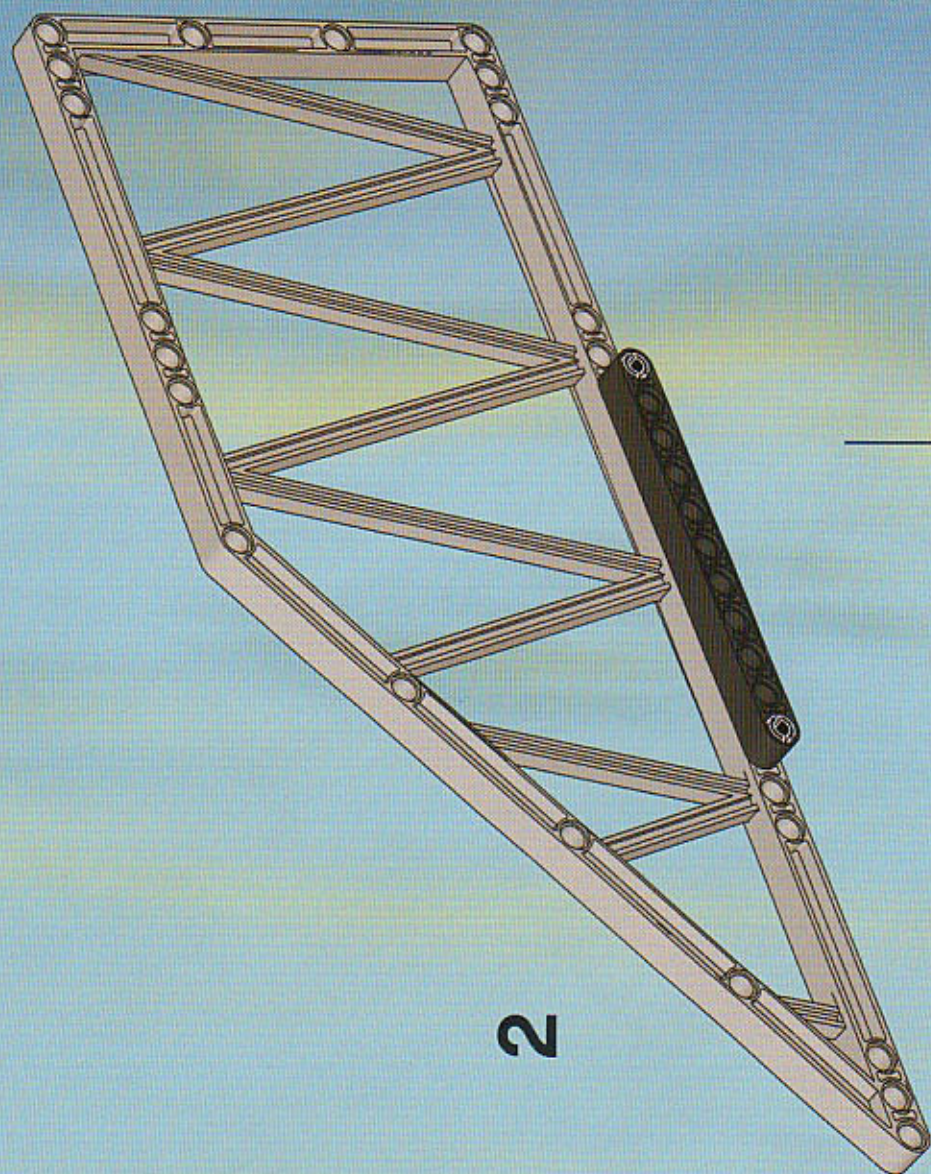
26



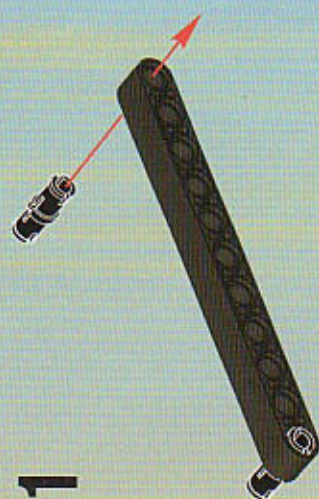




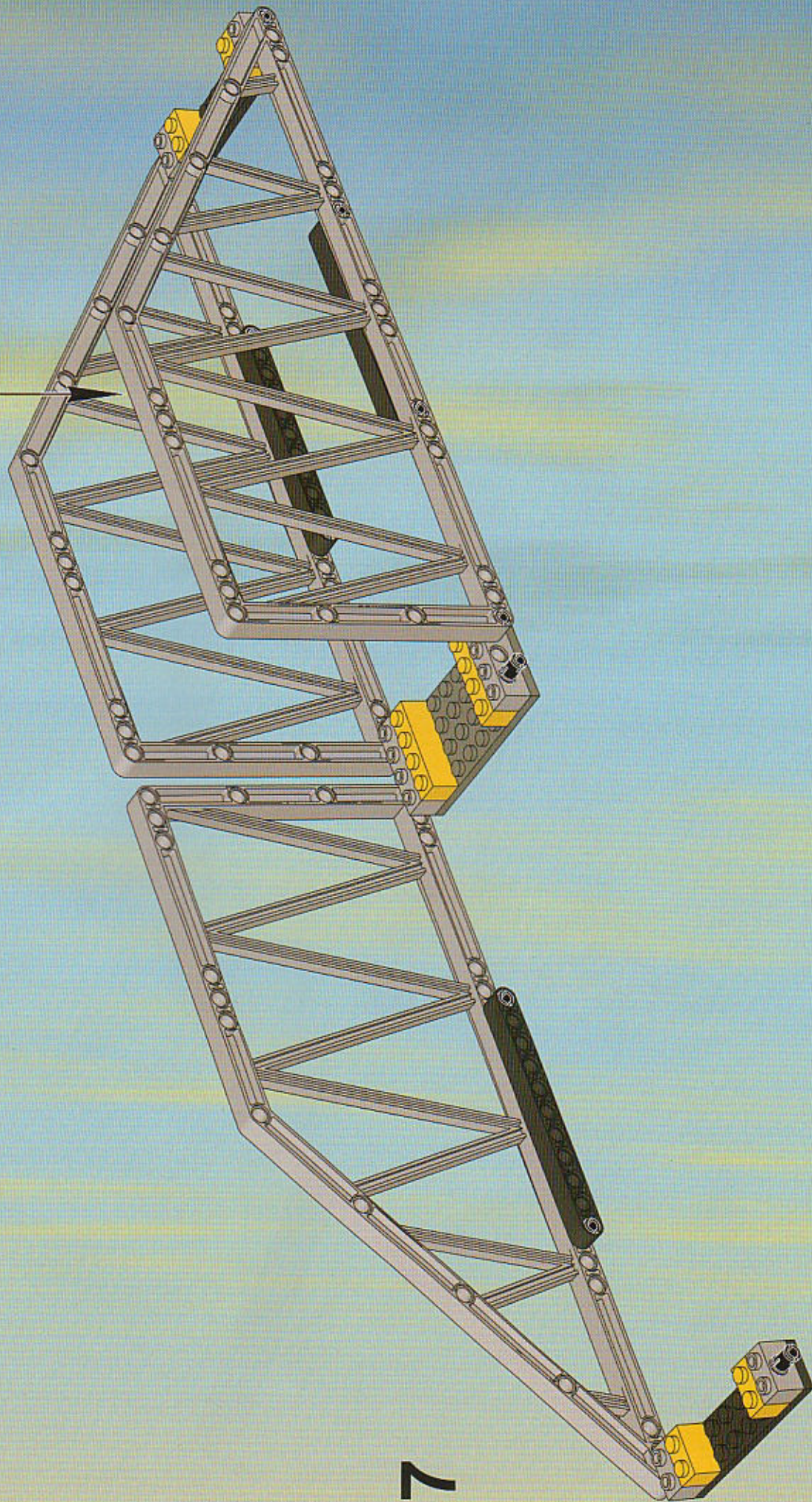
6



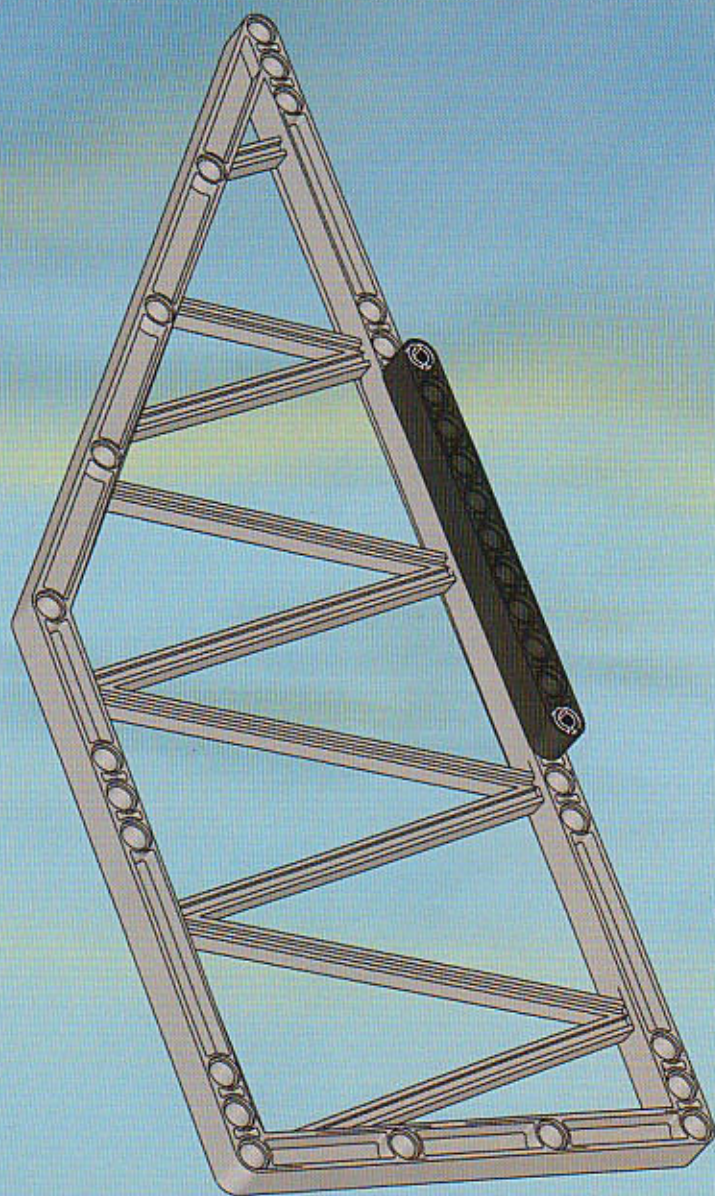
2



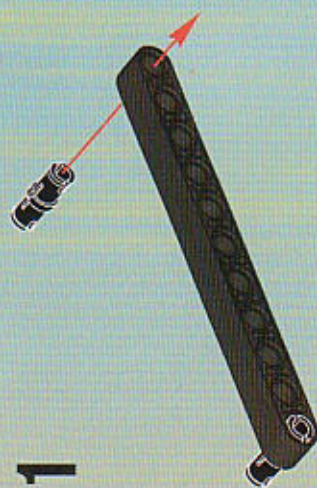
1



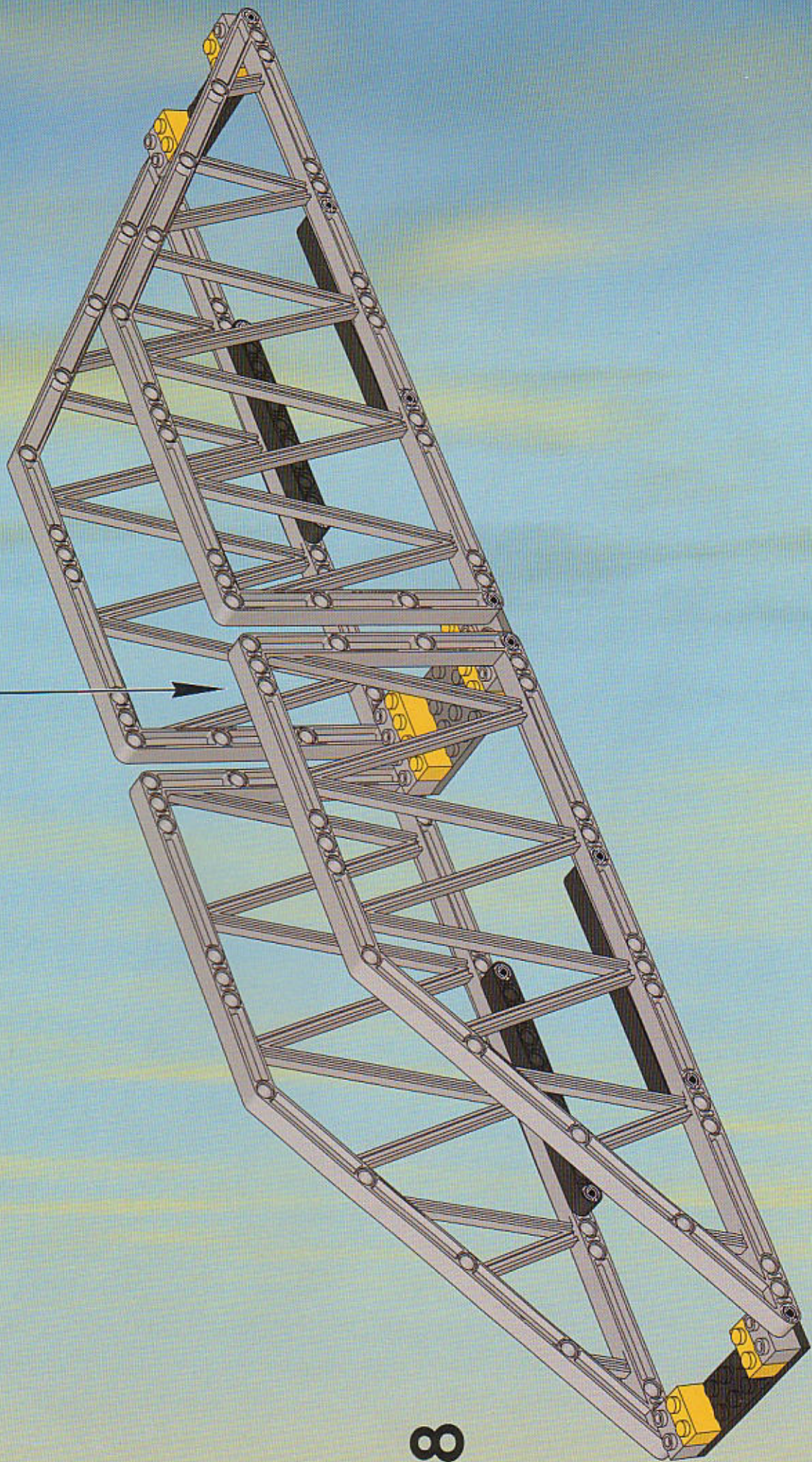
7

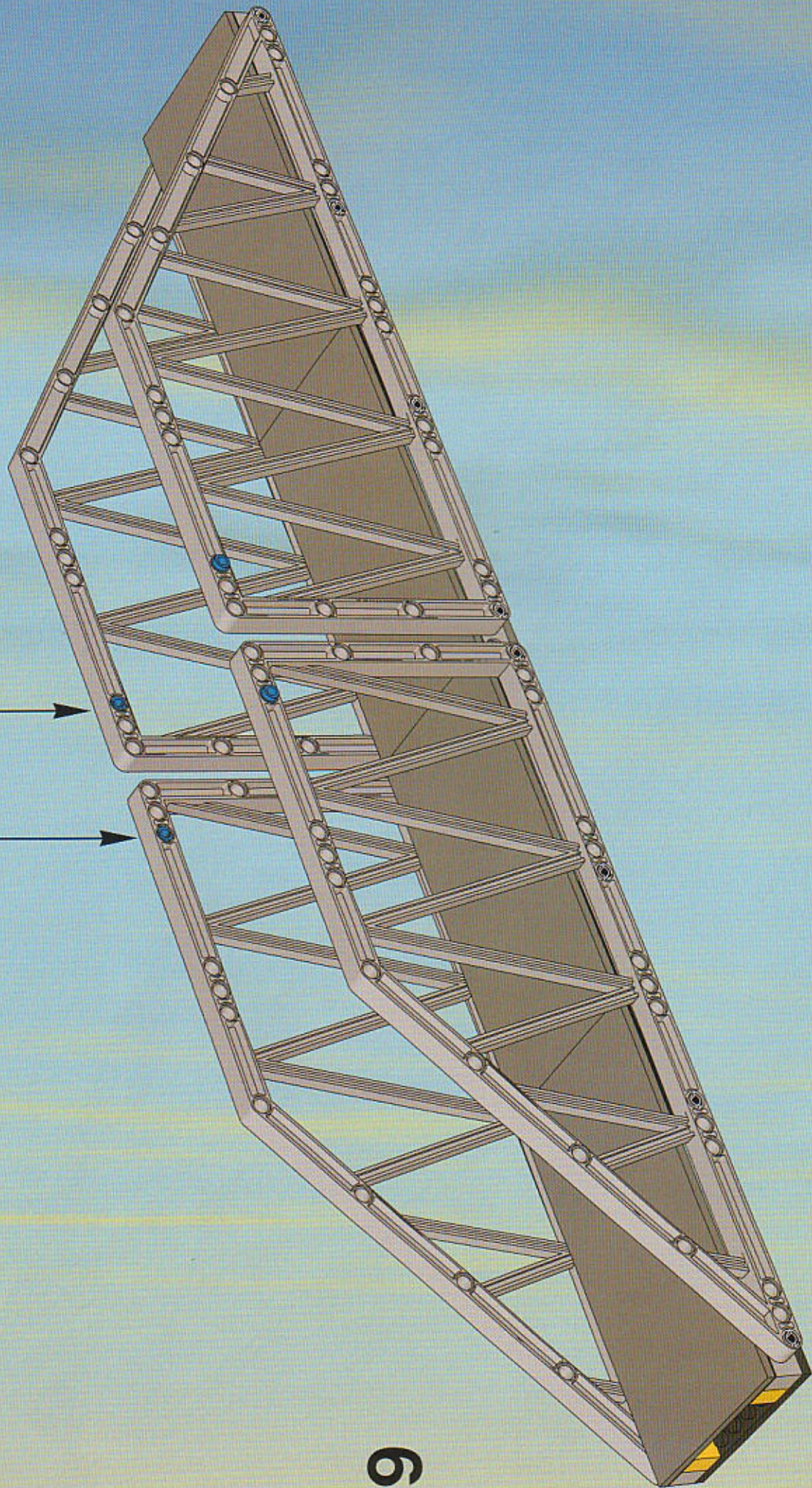


2

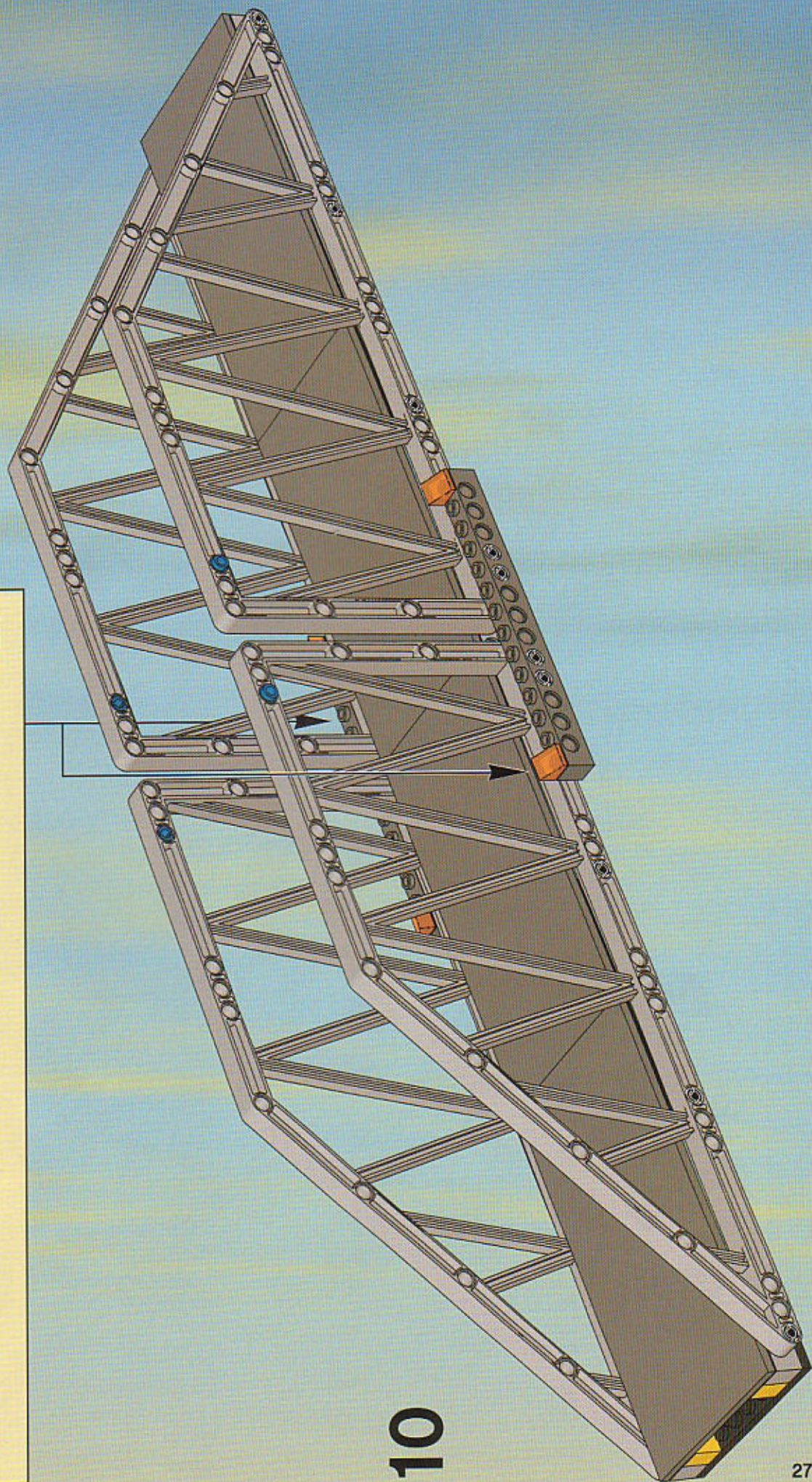
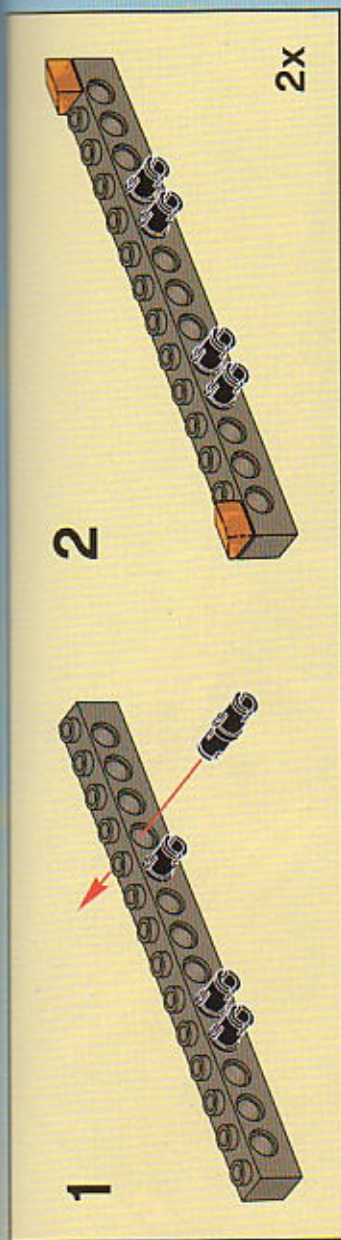


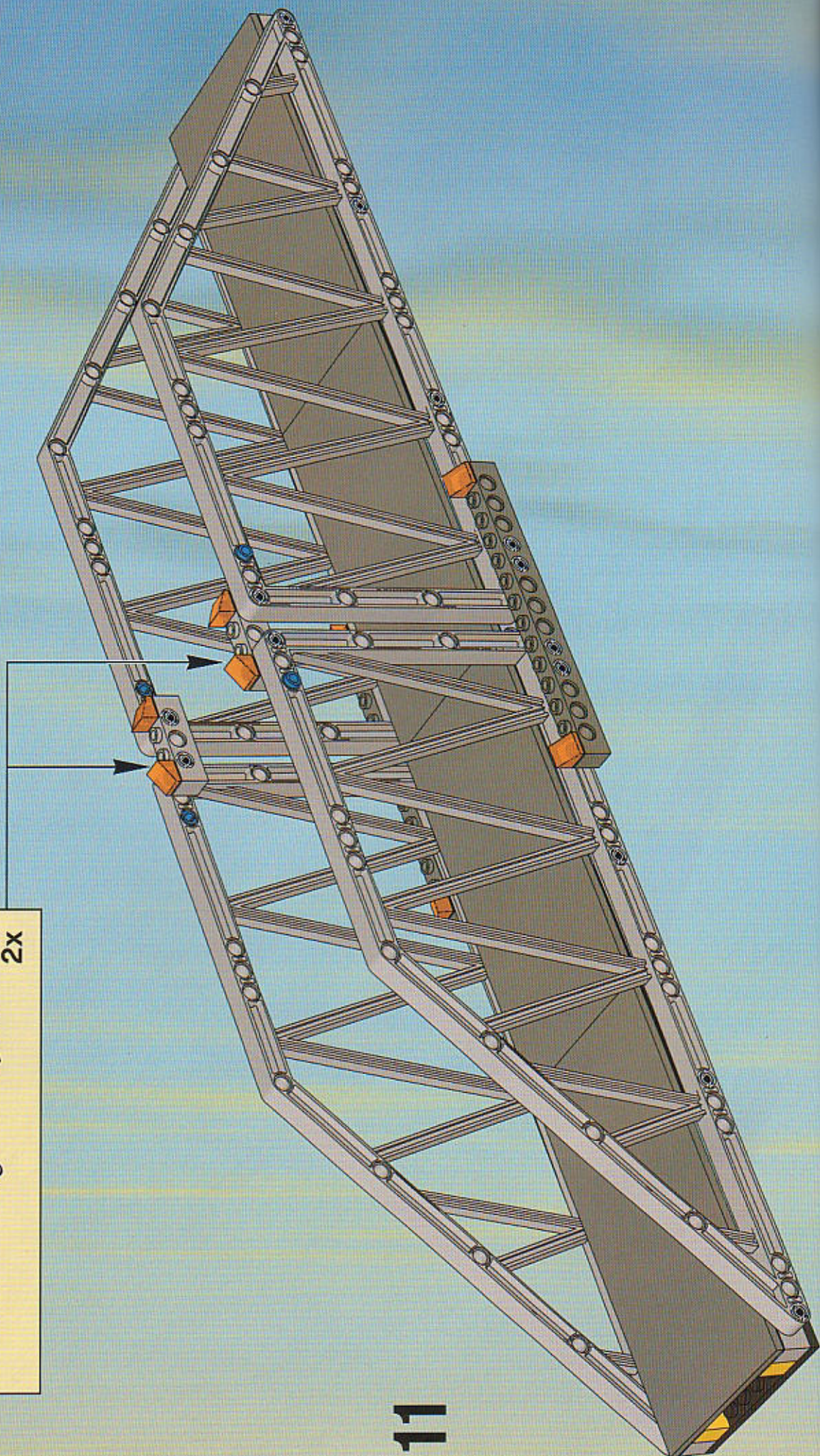
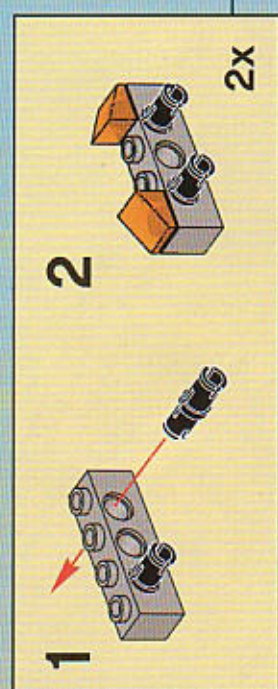
1





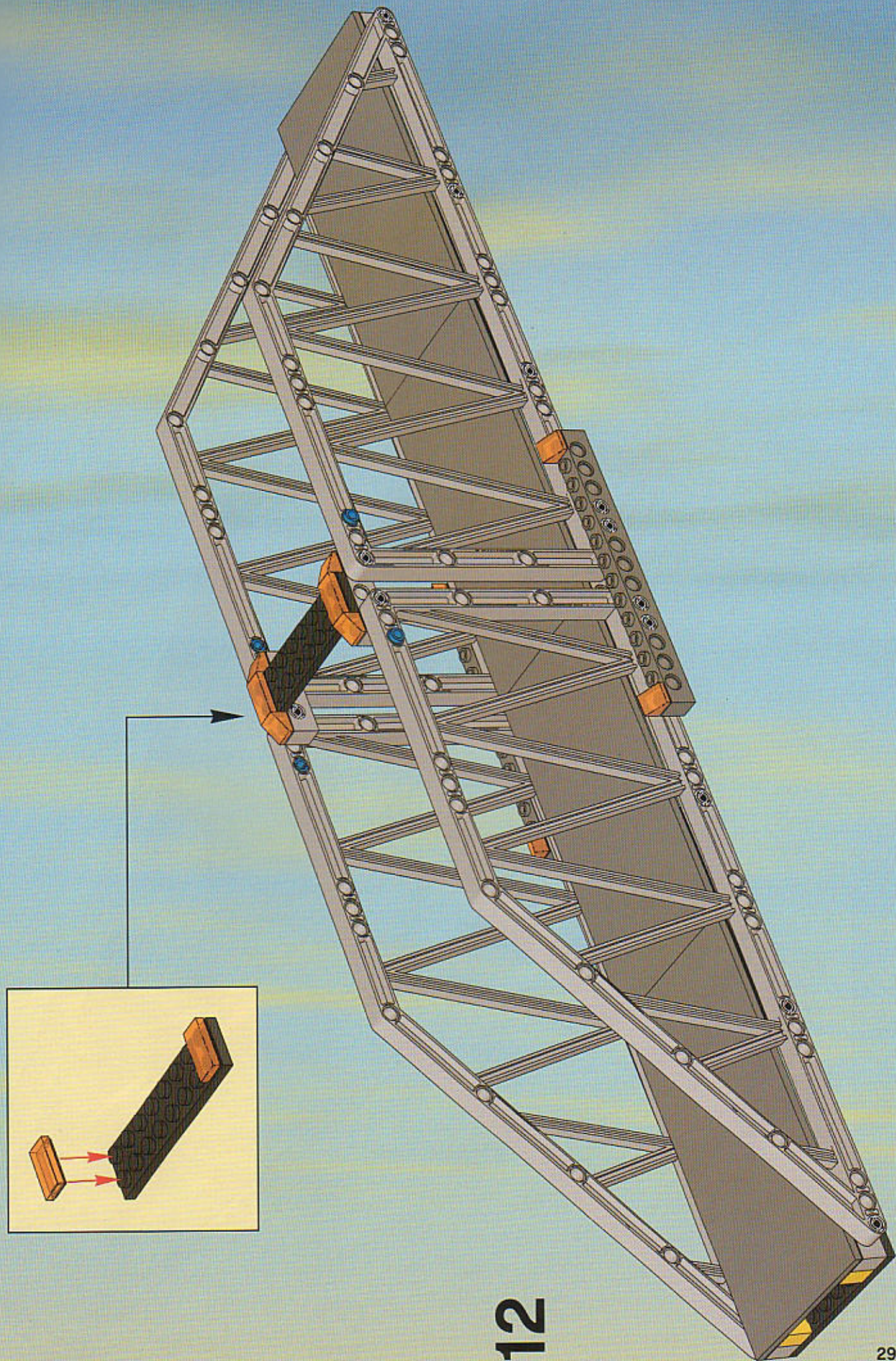
9



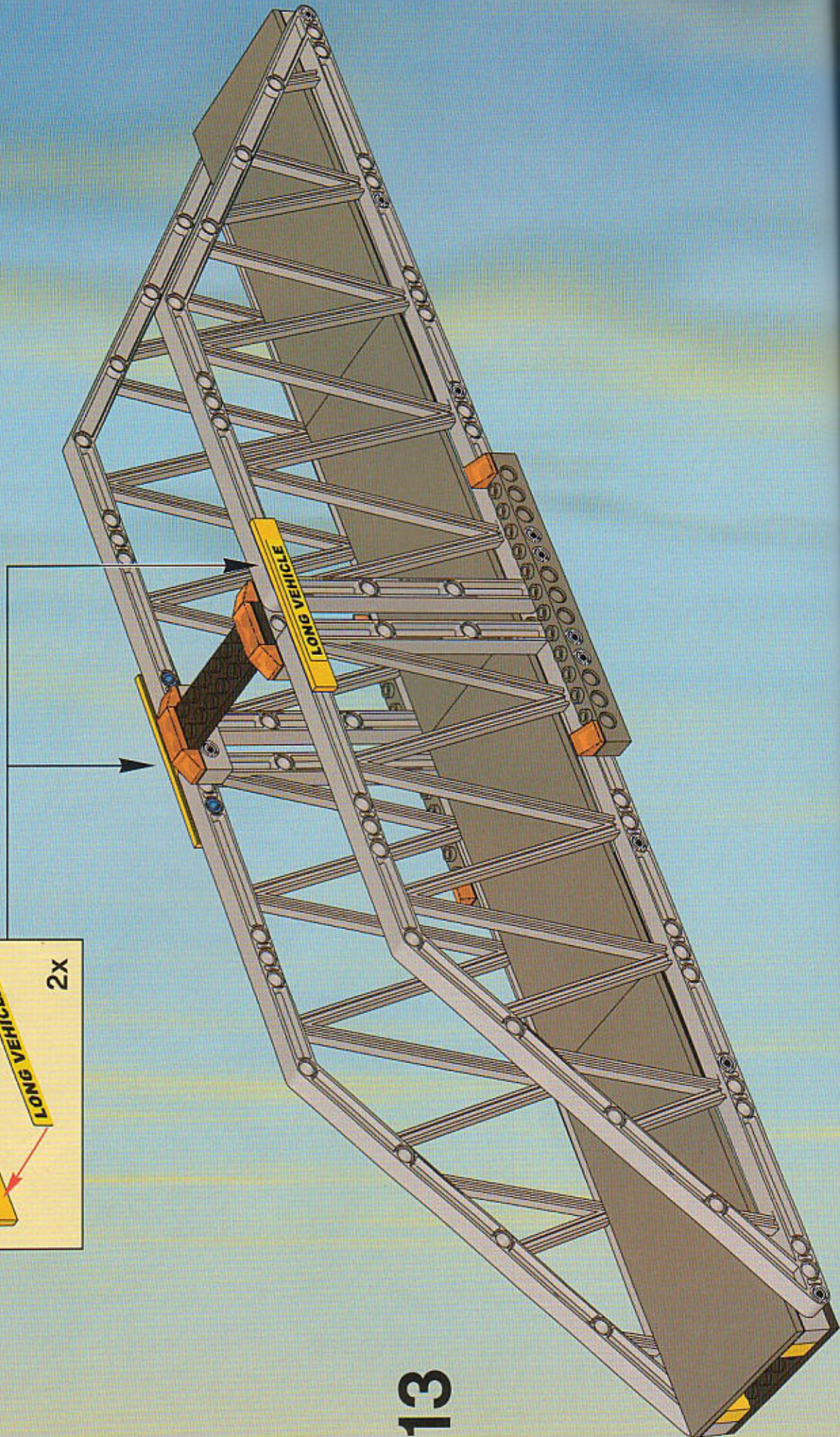
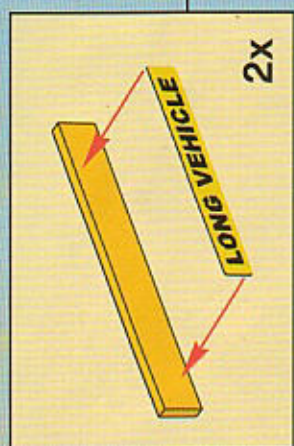


11





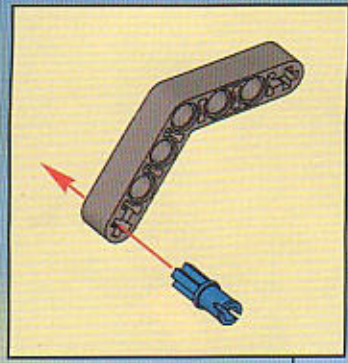
12



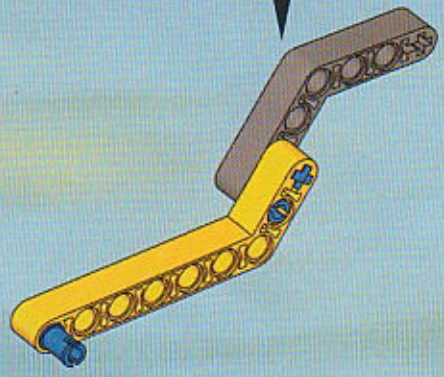
13

4  
 4  
 4  
 4

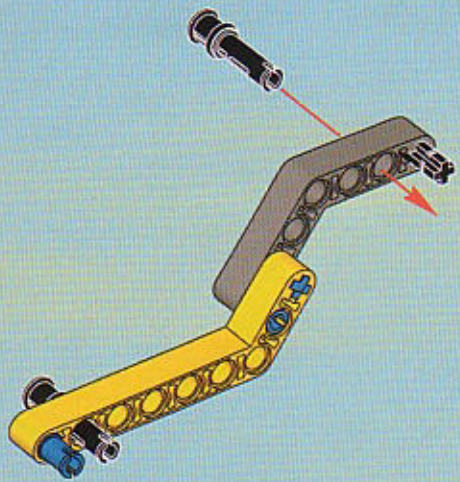
WARNING: To avoid danger of suffocation, keep this and all other toys from being taken by children under 3 years of age.  
 ATTENTION: Les jouets ne doivent pas être pris en main par des enfants de moins de 3 ans.  
 ADVERTENCIA: Para evitar peligros de asfixia, mantenga este y todos los juguetes fuera del alcance de los niños de menos de 3 años.  
 ATTENTION: Les jouets ne doivent pas être pris en main par des enfants de moins de 3 ans.  
 ADVERTENCIA: Para evitar peligros de asfixia, mantenga este y todos los juguetes fuera del alcance de los niños de menos de 3 años.



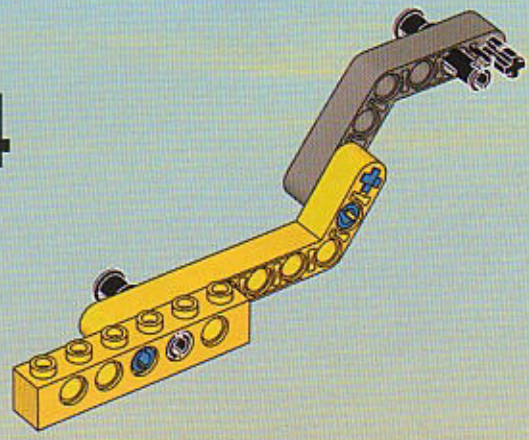
2



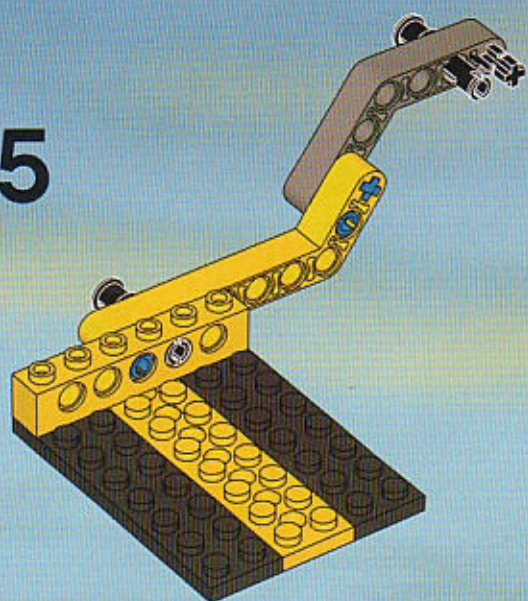
3



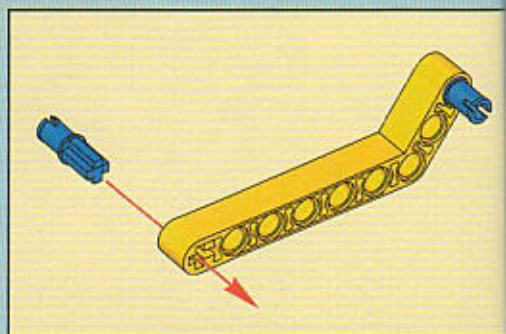
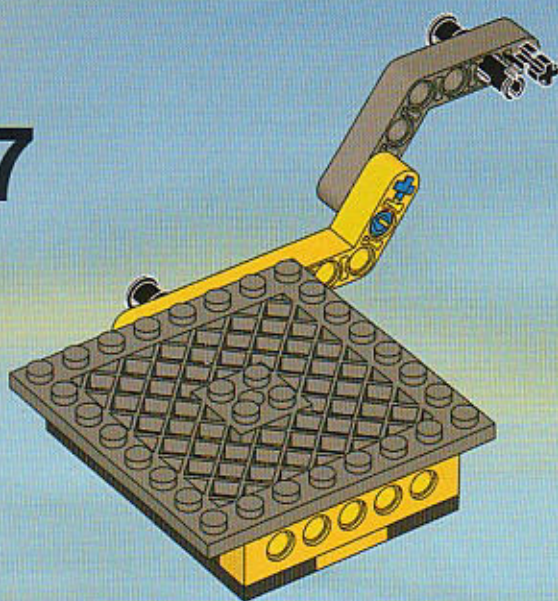
4



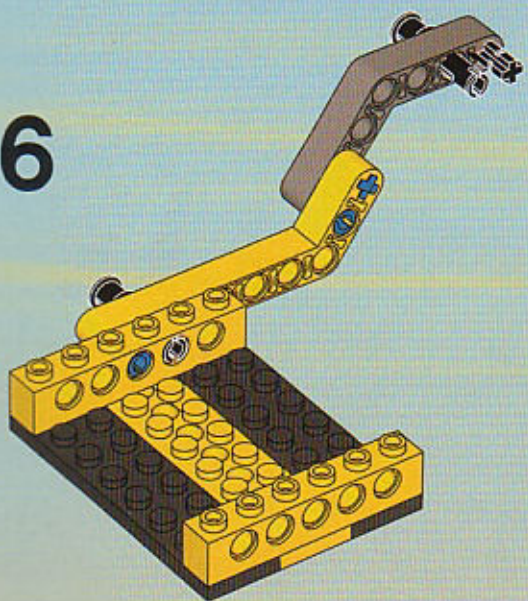
5



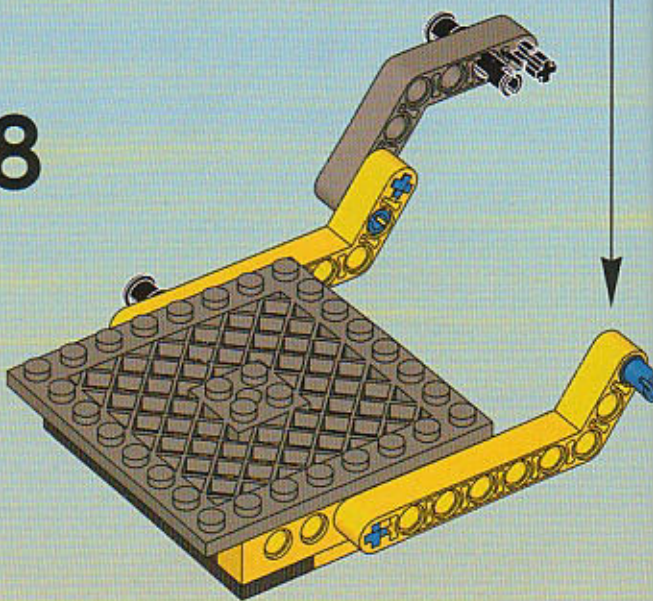
7



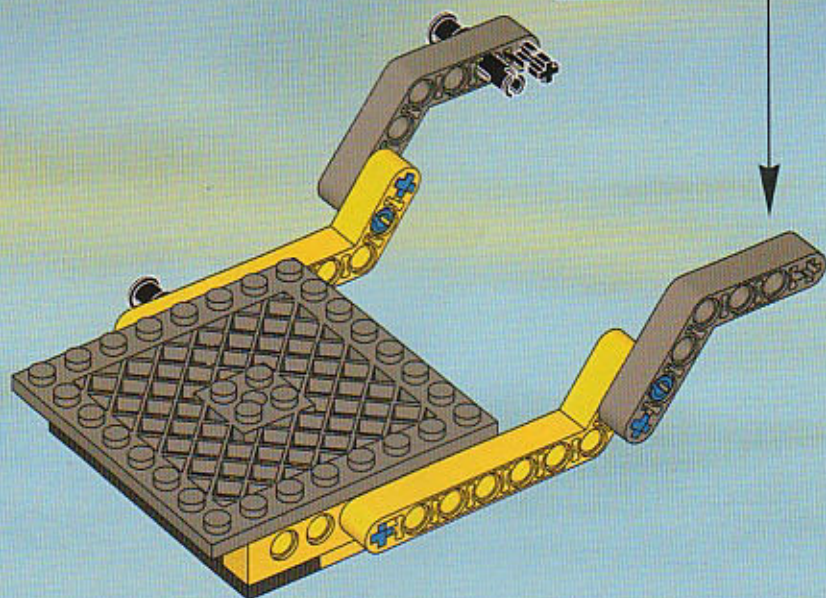
6



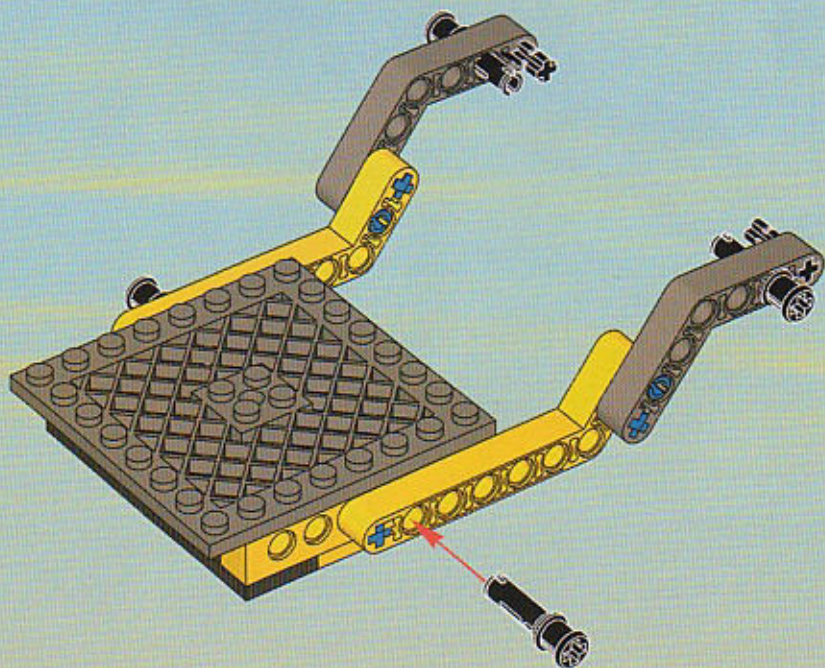
8



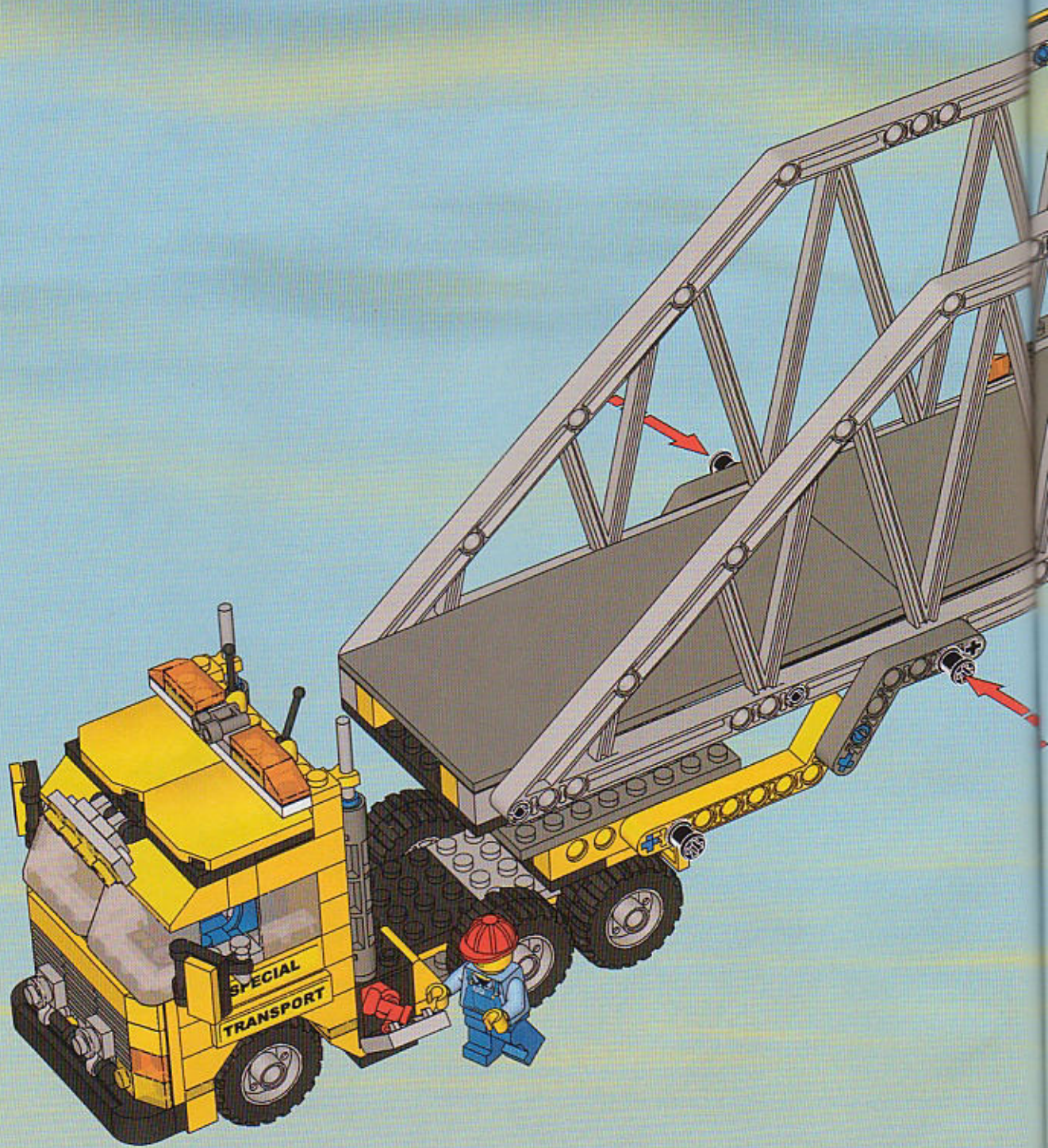
9

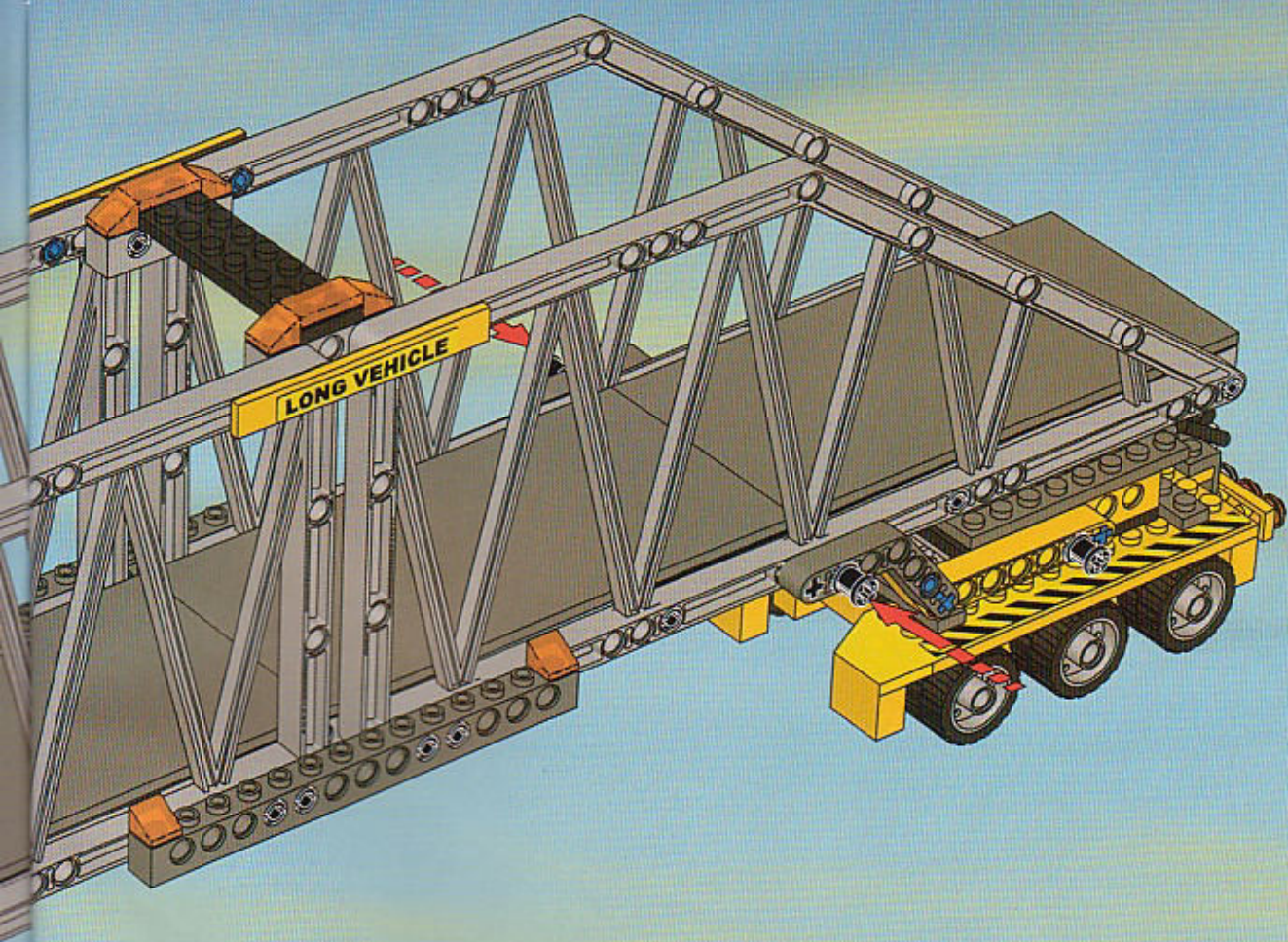


10

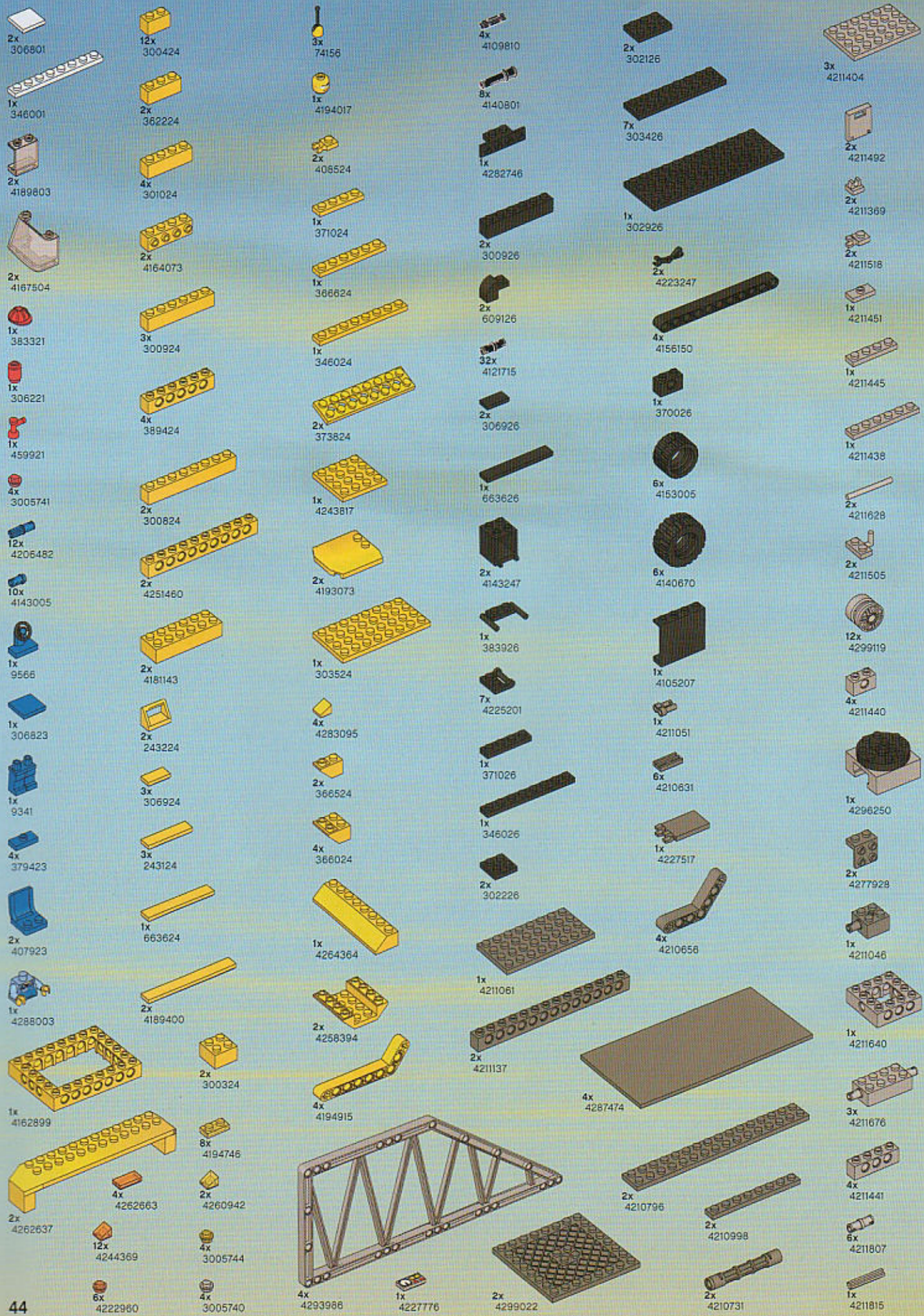














7248 + 7900

LEGO CITY  
7248  
6+

LEGO CITY  
7900  
5-12

LEGO CITY  
7905  
7-12

LEGO CITY  
7249  
6+

LEGO CITY  
7248  
6+

# Win! Gagne! 当たります Gewinne!

## Win LEGO products

We would like to know what you think about your new LEGO product. Log on to the web address below for further instructions.

## Gagne des produits LEGO

Nous aimerions savoir ce que tu penses de ton nouveau produit LEGO. Tu obtiendras davantage d'informations en visitant le site Internet indique ci-dessous.

## Gewinne LEGO produkte

Wir sind sehr an deiner Meinung über dein neues LEGO Produkt interessiert. Gehe einfach zu der unten angegebenen Webadresse – dort findest du weitere Informationen.

## Estimado usuario LEGO

Al contestar algunas preguntas en inglés, francés, alemán o japonés, en el sitio [www.acnielsen.aim.dk/lego](http://www.acnielsen.aim.dk/lego), podrás participar en el sorteo de algunos valiosos premios LEGO.

## Caro Consumidor da LEGO

Ao responder a algumas perguntas em Inglês, Francês, Alemão ou Japonês no endereço [www.acnielsen.aim.dk/lego](http://www.acnielsen.aim.dk/lego) irá participar num concurso para ganhar valiosos prémios da LEGO.

## Kedves ifjú LEGO Vásárló

Ha ellátogatsz a [www.acnielsen.aim.dk/lego](http://www.acnielsen.aim.dk/lego) honlapra és ott angol, francia, német vagy japán nyelven megválaszolsz néhány kérdést, akkor részt veszel egy versenyben, amelyben értékes LEGO díjakat nyerhetsz.

## 抽選でレゴ®製品が当たります

私たちは、皆さんが買い求めのレゴ®製品についてどんな感想をお持ちか、知りたいと思っています。質問に答えて、楽しいレゴ製品の抽選に応募しませんか。アンケートの回答には、ほんの3分ほどしかかかりません！詳しくは、以下のウェブアドレスまでアクセスしてください。



[www.acnielsen.aim.dk/LEGO](http://www.acnielsen.aim.dk/LEGO)



Any questions regarding your new LEGO product, please contact:

**Customer Service | Kundenservice**

**Service Consommateurs**

**Servicio Al Consumidor at**

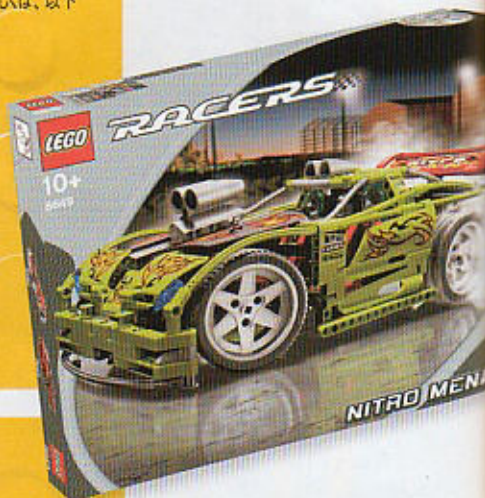
**[www.lego.com/service](http://www.lego.com/service) or dial**

 :

**00800 5346 5555**

 :

**1-800-422-5346**



Discover the **LEGO® UNIVERSE!**  
 Entdecke das **LEGO® UNIVERSUM!**  
 Ontdek het **LEGO® UNIVERSUM!**  
 Découvre **L'UNIVERS LEGO®!**



FREE LEGO Magazines  
 Des Magazines LEGO GRATUITS !  
 GRATIS LEGO Magazine  
 KOSTENLOSE LEGO Magazine

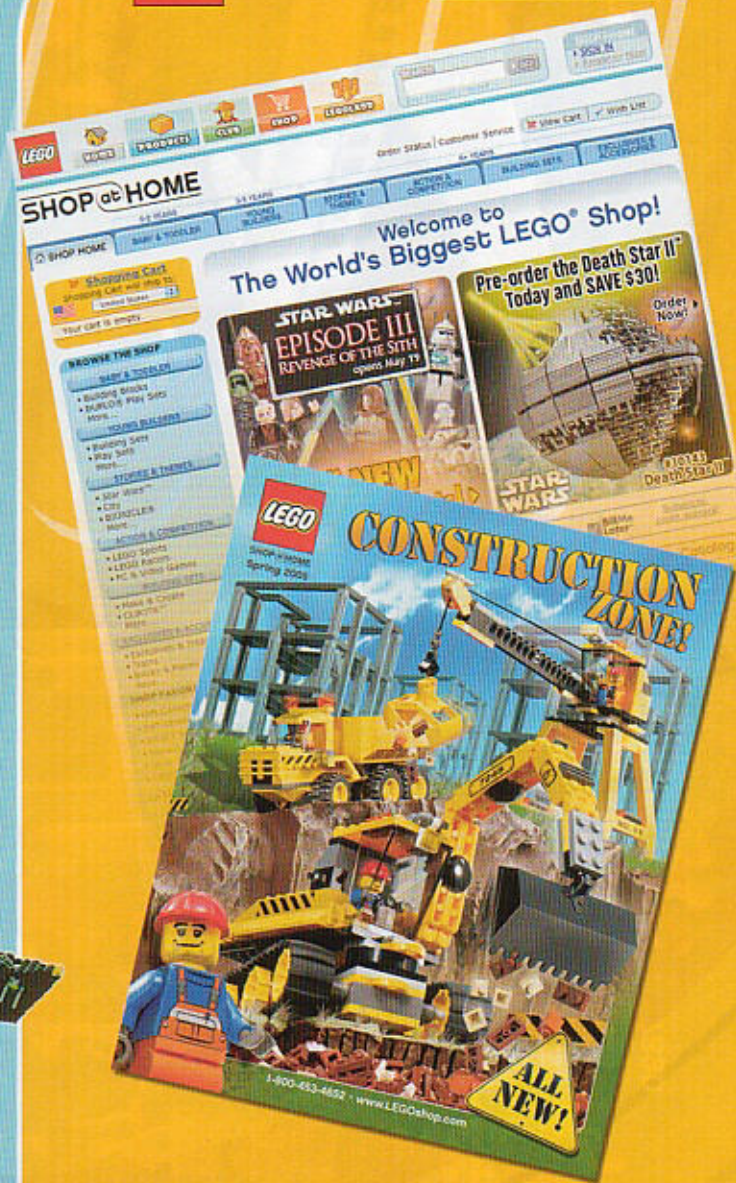


B1C26 B1C26 B106U B106U B106F B106C B106C B106C B106N

Sign up now! Jetzt anmelden!  
 Abonne-toi maintenant! Meld je nu aan!  
<http://club.LEGO.com/signup>



**SHOP at HOME**



[www.LEGOshop.com/catalog](http://www.LEGOshop.com/catalog)



# CITY



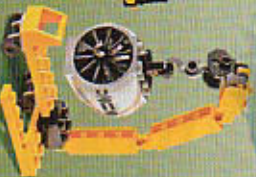
7903



7894



7891



7901



7892



7902



7890



7893



**SPECIAL**

**SPECIAL**

**TRANSPORT**

**TRANSPORT**

**LONG  
VEHICLE**

**7900**

**LONG VEHICLE**

**LONG VEHICLE**



**SPECIAL**

**SPECIAL**

**LONG  
VEHICLE**

**7900**

**TRANSPORT**

**TRANSPORT**

**LONG VEHICLE**

**LONG VEHICLE**